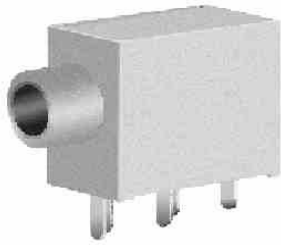


# EDCON-COMPONENTS



## T13G098

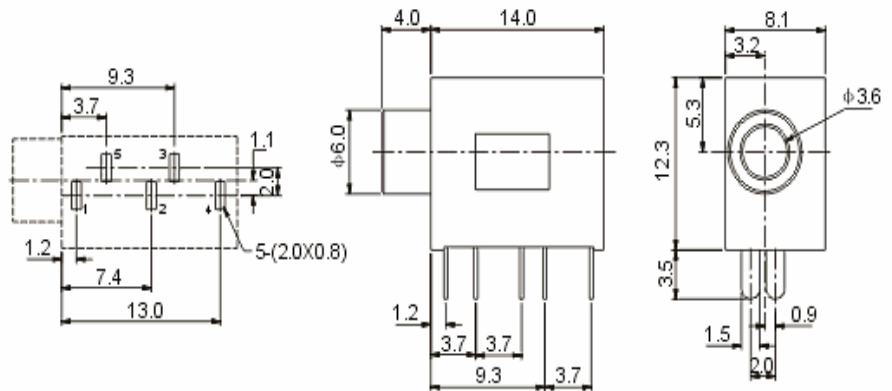
### Technical Specifications:

Operating Temperature:	
Rated Load:	
Contact Resistance:	
Insulation Resistance:	
Withstanding Voltage:	
Actuating Force:	
Lifetime:	

. -30°C ~ + 70°C
DC 30V / 0,5A
< 0,03 Ohm
> 100M Ohm
AC 500V (50Hz) 1min.
3 ~ 20N
5000 cycles

### Technical Drawing:

CK3.5-025	CK3.5-025-1	CK3.5-025-2	CK3.5-025-3
CK3.5-025M	CK3.5-025M-1	CK3.5-025M-2	CK3.5-025M-3
CK3.5-025GM	CK3.5-025GM-1	CK3.5-025GM-2	CK3.5-025GM-3
CK3.5-025B	CK3.5-025B-1	CK3.5-025B-2	CK3.5-025B-3
CK3.5-025C	CK3.5-025C-1	CK3.5-025C-2	CK3.5-025C-3
CK3.5-025D	CK3.5-025D-1	CK3.5-025D-2	CK3.5-025D-3

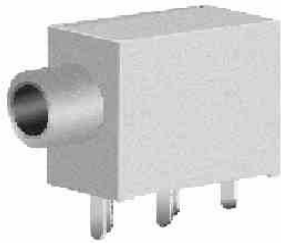


3,5mm THT Audio jack	
Part No.:	<b>T13G098</b>
Customer:	

DRW:	Jason	CHKD	Wilson	MATL:	Wilson	DATE	06.05.2007
APPD:	Schumi			FINISH	Jamy	Sheet	1 from 2

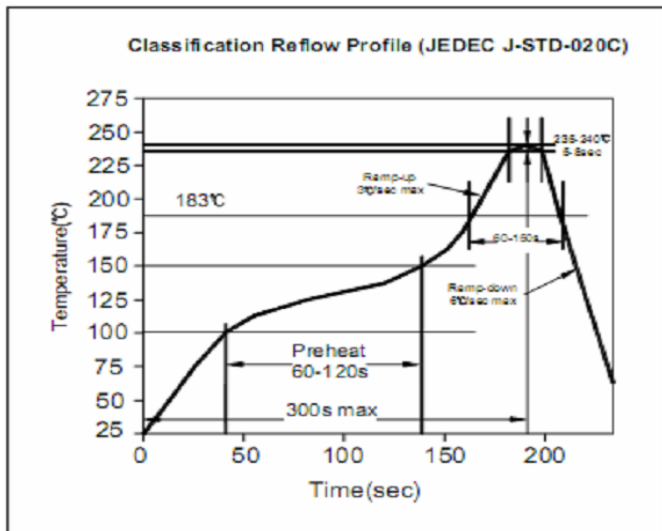
Copyright by EDCON-COMPONENTS H.Schmitt 11.6.2009

# EDCON-COMPONENTS

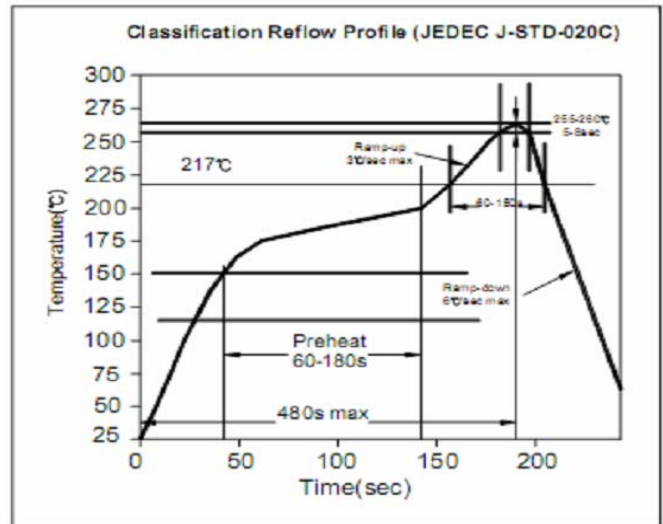


## Solder Profile

### Lead Solder



### Lead free Solder



## Ordering Informations:

Item-No.	Circuit	ROHS	Packing			
<b>T13G098</b>	<b>A</b>	<b>R</b>	<b>BU</b>			

<b>A</b>	<b>R= ROHS</b>	<b>BU= Bulk (Standard)</b> <b>TY= Tray Packing</b>
<b>B</b>	<b>N= Non</b>	
<b>C</b>	<b>ROHS</b>	
<b>D</b>		

3,5mm THT Audio jack	
Part No.:	<b>T13G098</b>
Customer:	

DRW:	Jason	CHKD	Wilson	MATL:	Wilson	DATE	06.05.2007
APPD:	Schumi			FINISH	Jamy	Sheet	2 from 2

Copyright by EDCON-COMPONENTS H.Schmitt 11.6.2009