

EDCON-COMPONENTS



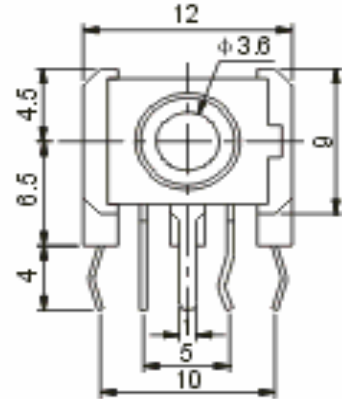
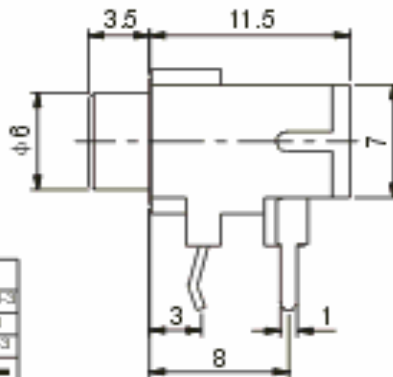
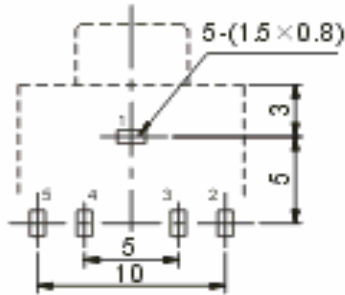
T13G030

Technical Specifications:

Operating Temperature:
Rated Load:
Contact Resistance:
Insulation Resistance:
Withstanding Voltage:
Actuating Force:
Lifetime:

. -30°C ~ + 70°C
DC 30V / 0,5A
< 0,03 Ohm
> 100M Ohm
AC 500V (50Hz) 1min.
3 ~ 20N
5000 cycles

Technical Drawing:



CK-3.5-008E	CK-3.5-008E-1	CK-3.5-008E-2	CK-3.5-008E-3
CK-3.5-008EM	CK-3.5-008EM-1	CK-3.5-008EM-2	CK-3.5-008EM-3
CK-3.5-008G	CK-3.5-008G-1	CK-3.5-008G-2	CK-3.5-008G-3
CK-3.5-008R	CK-3.5-008R-1	CK-3.5-008R-2	CK-3.5-008R-3

3,5mm THT Audio jack
Part No.: T13G030
Customer:

DRW:	Jason	CHKD	Wilson	MATL:	Wilson	DATE	06.05.2007
APPD:	Schumi			FINISH	Jamy	Sheet	1 from 2

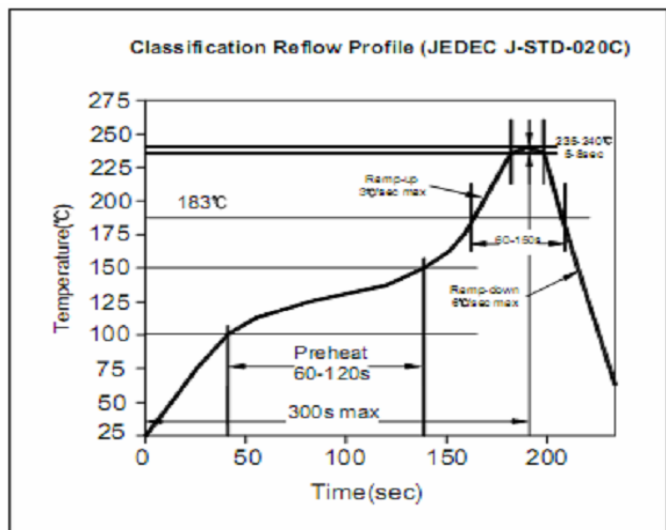
Copyright by EDCON-COMPONENTS H.Schmitt 11.6.2009

EDCON-COMPONENTS

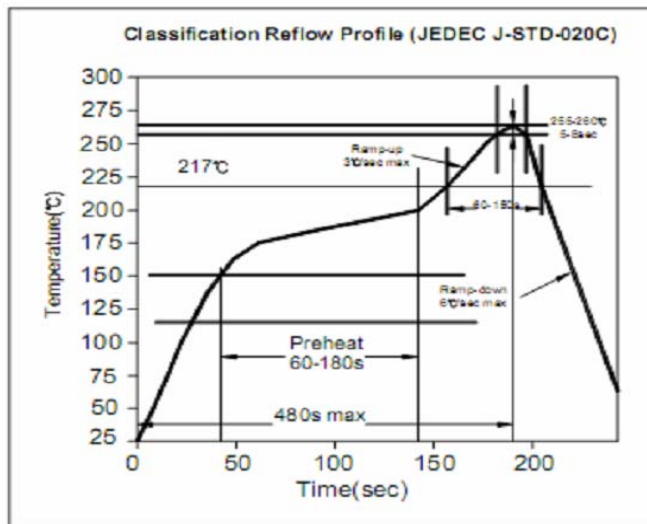


Solder Profile

Lead Solder



Lead free Solder



Ordering Informations:

Item-No.	Circuit	ROHS	Packing			
T13G030	A	R	BU			

A	R= ROHS	BU= Bulk (Standard) TY= Tray Packing
B	N= Non	
C	ROHS	
D		

3,5mm THT Audio jack	
Part No.:	T13G030
Customer:	

DRW:	Jason	CHKD	Wilson	MATL:	Wilson	DATE	06.05.2007
APPD:	Schumi			FINISH	Jamy	Sheet	2 from 2

Copyright by EDCON-COMPONENTS H.Schmitt 11.6.2009