

EDCON-COMPONENTS



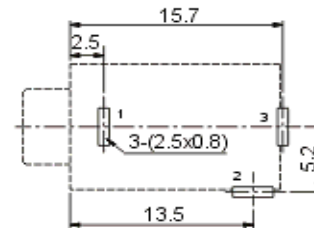
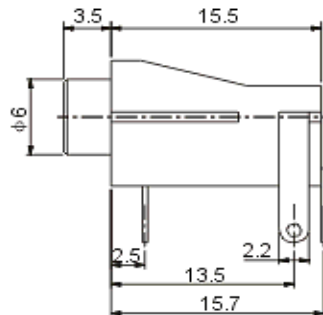
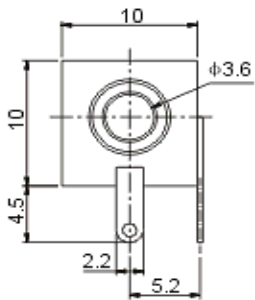
T13G006

Technical Specifications:

Operating Temperature:	
Rated Load:	
Contact Resistance:	
Insulation Resistance:	
Withstanding Voltage:	
Actuating Force:	
Lifetime:	

. -30°C ~ + 70°C
DC 30V / 0,5A
< 0,03 Ohm
> 100M Ohm
AC 500V (50Hz) 1min.
3 ~ 20N
5000 cycles

Technical Drawing:



3,5mm THT Audio jack	
Part No.:	T13G006
Customer:	

DRW:	Jason	CHKD	Wilson	MATL:	Wilson	DATE	05.08.2015
APPD:	Schumi			FINISH	Jamy	Sheet	1 from 2

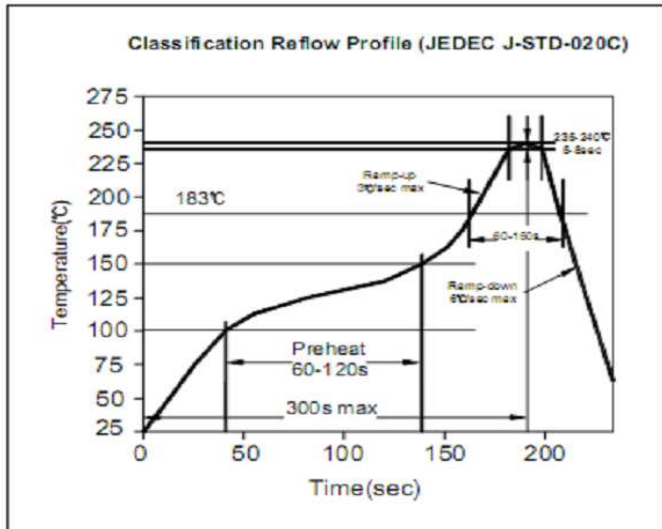
Copyright by S.Tiede

EDCON-COMPONENTS

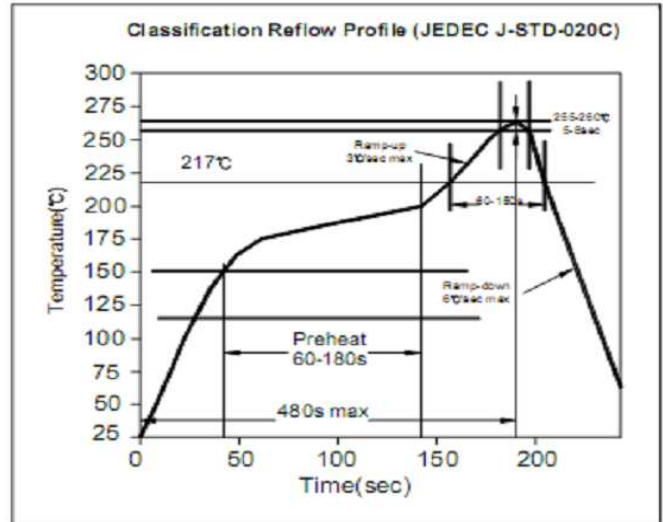


Solder Profile

Lead Solder



Lead free Solder



Ordering Informations:

Item-No.	Material	ROHS	Packing			
----------	----------	------	---------	--	--	--

T13G006	-	A	R	BU		
---------	---	---	---	----	--	--

A = Copper	R = ROHS	BU = Bulk (Standard)
B = Steel	N = Non ROHS	
		TY = Tray Packing

3,5mm THT Audio jack	
Part No.:	T13G006
Customer:	

DRW:	Jason	CHKD	Wilson	MATL:	Wilson	DATE	05.08.2015
APPD:	Schumi			FINISH	Jamy	Sheet	2 from 2

