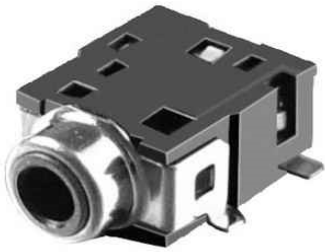


# EDCON-COMPONENTS

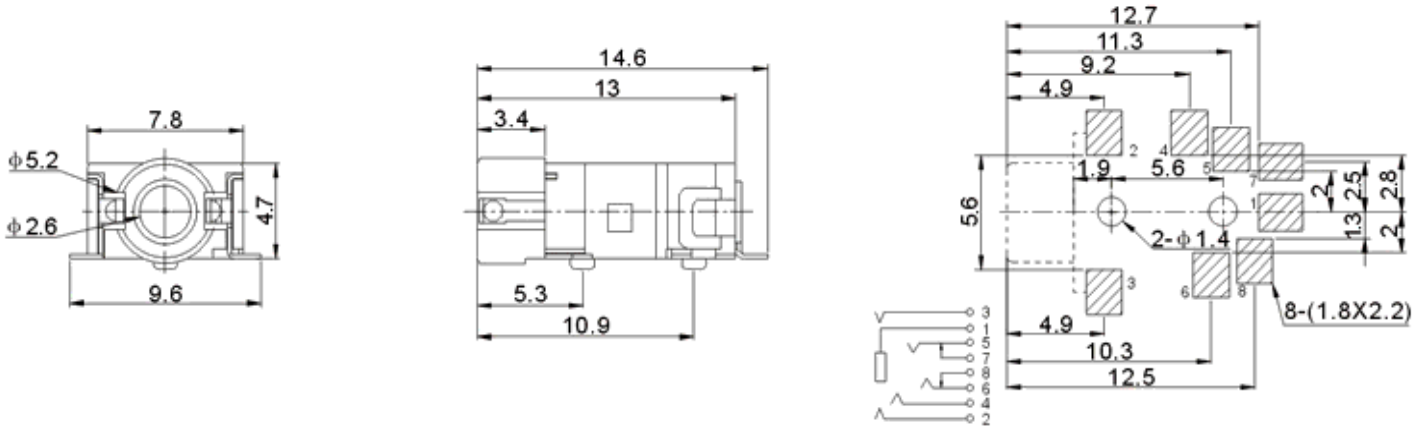


## T13A049

### Technical Specifications:

Operating Temperature:	-30°C ~ + 70°C
Rated Load:	DC 30V / 0,5A
Contact Resistance:	< 0,03 Ohm
Insulation Resistance:	> 100M Ohm
Withstanding Voltage:	AC 500V (50Hz) 1min.
Actuating Force:	3 ~ 20N
Lifetime:	5000 cycles

### Technical Drawing:



2,5mm SMT Audio jack	
Part No.:	<b>T13A049</b>
Customer:	

DRW:	Jason	CHKD	Wilson	MATL:	Wilson	DATE	06.05.2007
APPD:	Schumi			FINISH	Jamy	Sheet	1 from 2

Copyright by EDCON-COMPONENTS H.Schmitt 11.6.2009

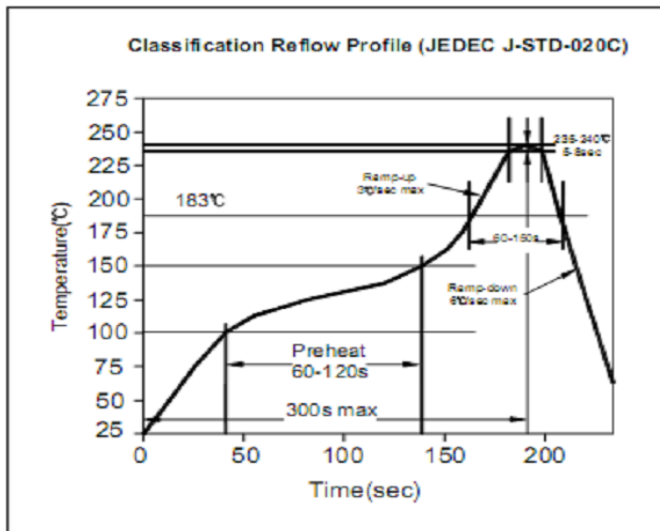
# EDCON-COMPONENTS



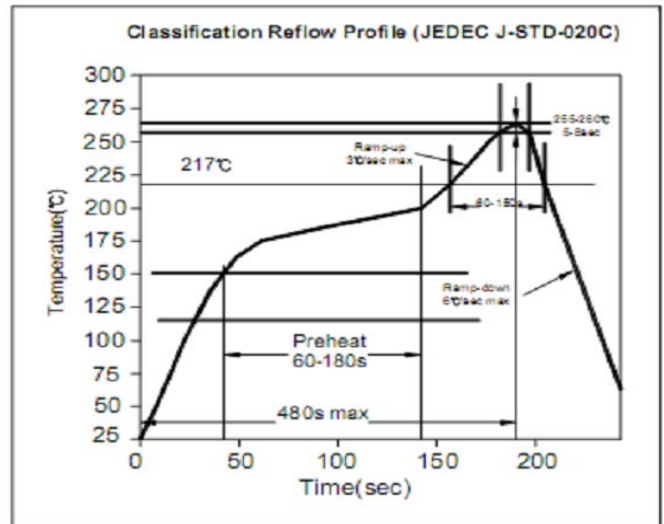
## Reel Specifications

## Solder Profile

### Lead Solder



### Lead free Solder



## Ordering Informations:

Item-No.	Circuit	ROHS	Packing			
<b>T13A049</b>	<b>A</b>	<b>R</b>	<b>BU</b>			

<b>A</b>	<b>R= ROHS</b>	<b>BU= Bulk (Standard)</b> <b>TR= Tape/Reel</b> <b>TR= Tray Packing</b>
	<b>N= Non ROHS</b>	

2,5mm SMT Audio jack
Part No.: <b>T13A049</b>
Customer:

DRW:	Jason	CHKD	Wilson	MATL:	Wilson	DATE	06.05.2007
APPD:	Schumi			FINISH	Jamy	Sheet	2 from 2

Copyright by EDCON-COMPONENTS H.Schmitt 11.6.2009