

EDCON-COMPONENTS



Specifications

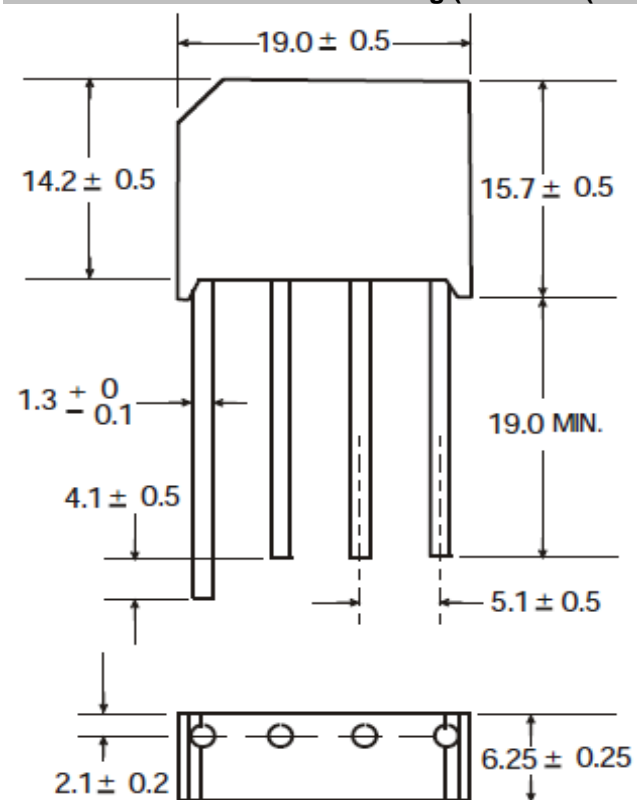
Features

- This Serie is UL listed under the recognized Component index file number E142814
- Ideal for printed circuits board mounting
- High temperature metallurgical bonded internal rectifiers
- Typical Ir less than 1µA
- The plastic material used carries Underwriters Laboratory flammability recognition 94V-0
- Built in printed circuit boards stand-off
- Plated leads solderable per MIL-STD-. 202 Method 208
- Reliable low cost construction utilizing molded plastic technique
- Weight 5,6gr.

Maximum Ratings & Electrical Characteristics Ratings at 25°C ambient temperature

	Sym bols	RS 401L	RS 402L	RS 403L	RS 404L	RS 405L	RS 406L	RS 407L	Unit
Maximum reecurrent peak reverse Voltage	VRRM	50	100	200	400	600	800	1000	Volt
Maximum rms Input voltage	VRMS	35	70	140	280	420	560	700	Volt
Maximum dc blocking Voltage	VDC	50	100	200	400	600	800	1000	Volt
Maximum average forward output rectified TA=100°C	I(AV)	4,0							Amps
Peak forward surge current 8,3ms single half sine-wave	IFSM	200							Amps
Maximum forward voltage drop	VF	1,1							Volt
Maximum revese voltage TA=25°C	IR	10							µA
Maximum revese voltage TA=125°C	IR	1000							µA
Operating and storage temperature range	TJ TSTG	-55°C to + 150°C							°C
I²t rating for fusing	I²t	166							A²t
Typical thermal resistance junction to case	R 0 JA	10							°C/W

Technical Drawing (Unit: inch(mm))



**Single Inline Bridge Rectifier
4,0A**

EDCON-Ser. **E15036**

International Serie: **RS4xxL**

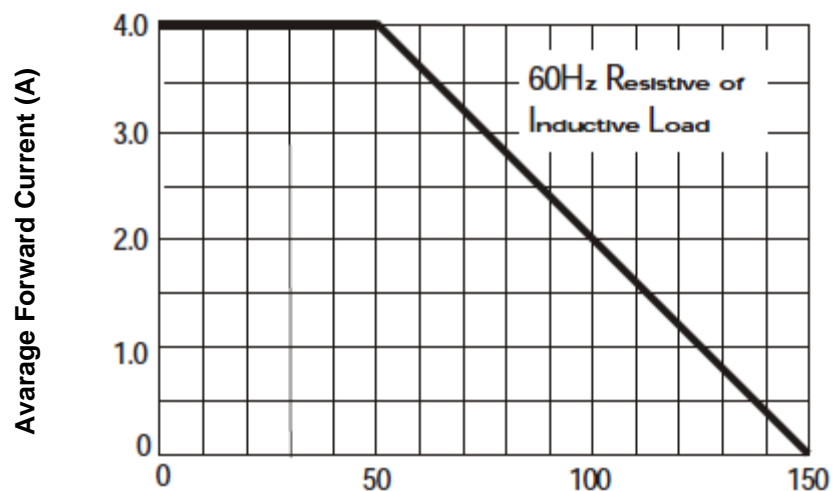
DRW:	Jason	CHKD	Wilson	MATL:	Wilson	TOLERANCE	Mason	DATE	10.05.2010
APPD:	Schumi			FINISH	Jamy		Sheet No.		1 from 5

EDCON-COMPONENTS



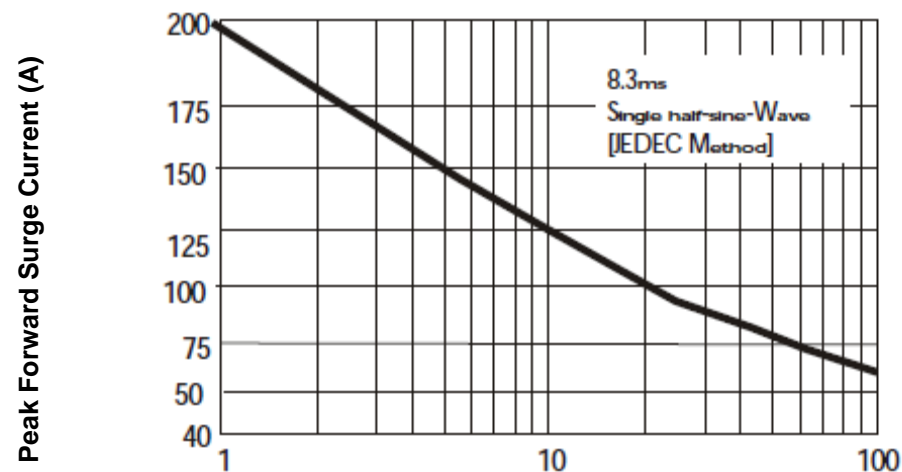
Rating & Characteristics Curves (TA=25°C unless otherwise noted)

Derating Curve for Output Rectified Current



Ambient Temperature °C

Maximum NON Repetitive Forward Surge Current



Number of Cycles at 60Hz

**Single Inline Bridge Rectifier
4,0A**

EDCON-Ser. **E15036**

International Serie: **RS4xxL**

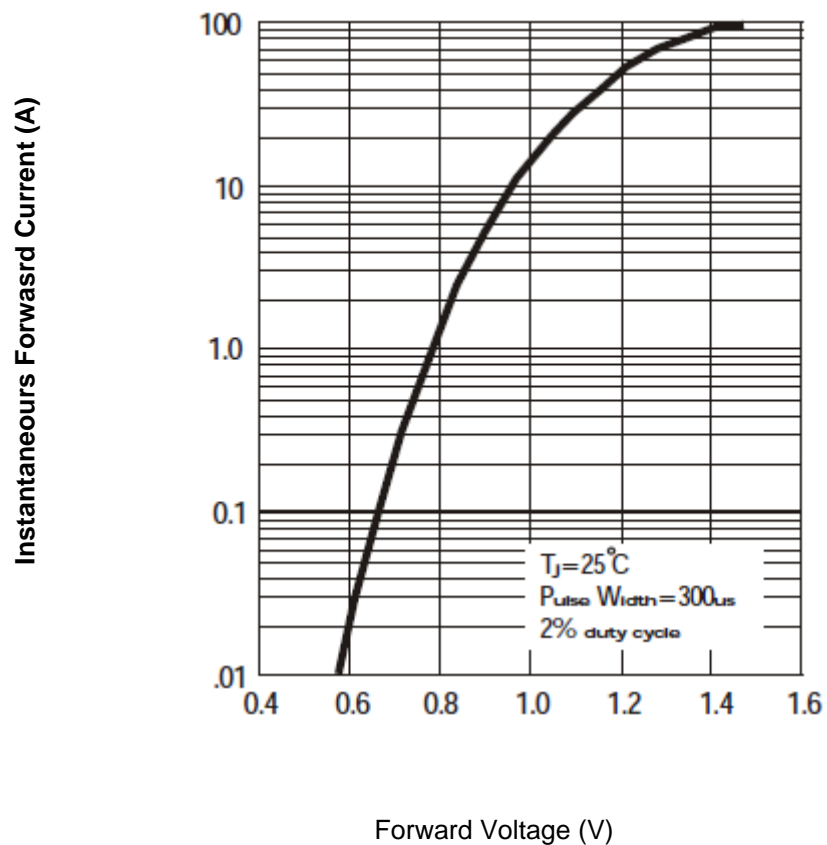
DRW:	Jason	CHKD	Wilson	MATL:	Wilson	TOLERANCE	Mason	DATE	10.05.2010
APPD:	Schumi			FINISH	Jamy		Sheet No.	2 from 5	

EDCON-COMPONENTS

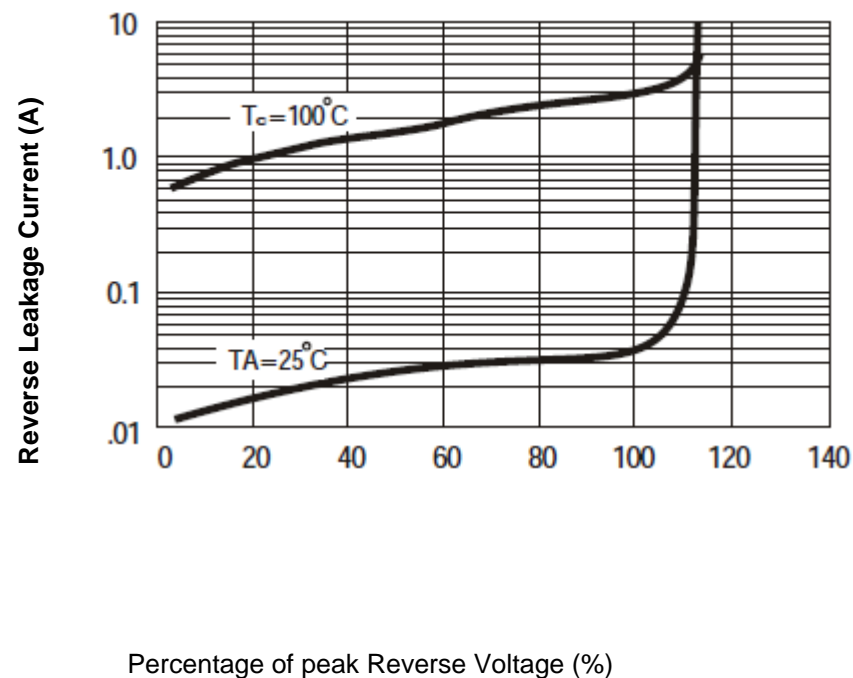


Rating & Characteristics Curves (TA=25°C unless otherwise noted)

Typical Forward Characteristics



Typical Reverse Characteristics



Single Inline Bridge Rectifier 4,0A	
EDCON-Ser.	E15036
International Serie:	RS4xxL

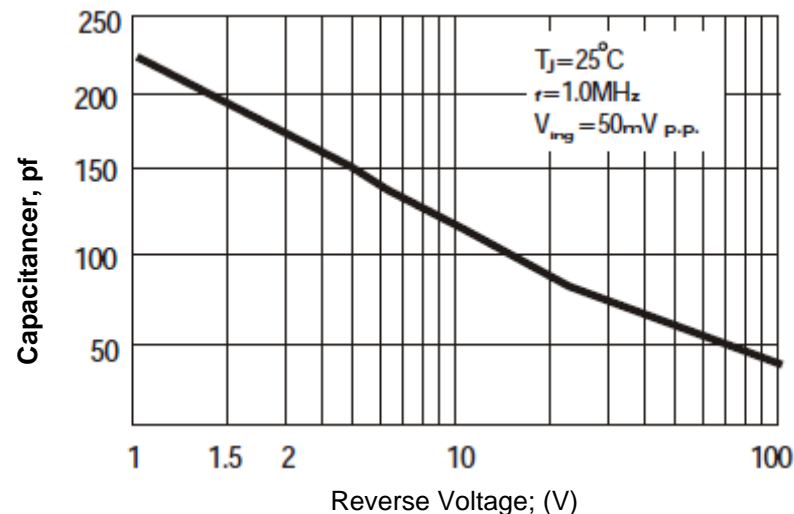
DRW:	Jason	CHKD	Wilson	MATL:	Wilson	TOLERANCE	Mason	DATE	10.05.2010
APPD:	Schumi			FINISH	Jamy		Sheet No.	3 from 5	

EDCON-COMPONENTS



Rating & Characteristics Curves (TA=25°C unless otherwise noted)

Forward Current Derating Curve



Ordering Informations

EDCON Serie	International Type	NO function	ROHS	Package					
-------------	--------------------	-------------	------	---------	--	--	--	--	--

E15036	RS4xxL	LL	R	BX					
---------------	---------------	-----------	----------	-----------	--	--	--	--	--

Look Voltage Code Table	LL = Long Lead	R = ROHS Conform	BX = Box
	L4 = Lead length 4mm	N = NON ROHS Conform	

Single Inline Bridge Rectifier 4,0A	
EDCON-Ser.	E15036
International Serie:	RS4xxL

DRW:	Jason	CHKD	Wilson	MATL:	Wilson	TOLERANCE	Mason	DATE	10.05.2010
APPD:	Schumi			FINISH	Jamy		Sheet No.		4 from 5

www.edcon-components.com

email: info@edcon-components.com



Soldering Profile Curve

Classification Reflow Profile (JEDEC J-STD-020C)



Single Inline Bridge Rectifier 4,0A	
EDCON-Ser.	E15036
International Serie:	RS4xxL

DRW:	Jason	CHKD	Wilson	MATL:	Wilson	TOLERANCE	Mason	DATE	10.05.2010
APPD:	Schumi			FINISH	Jamy		Sheet No.	5 from 5	