

EDCON-COMPONENTS



Specifications

Features

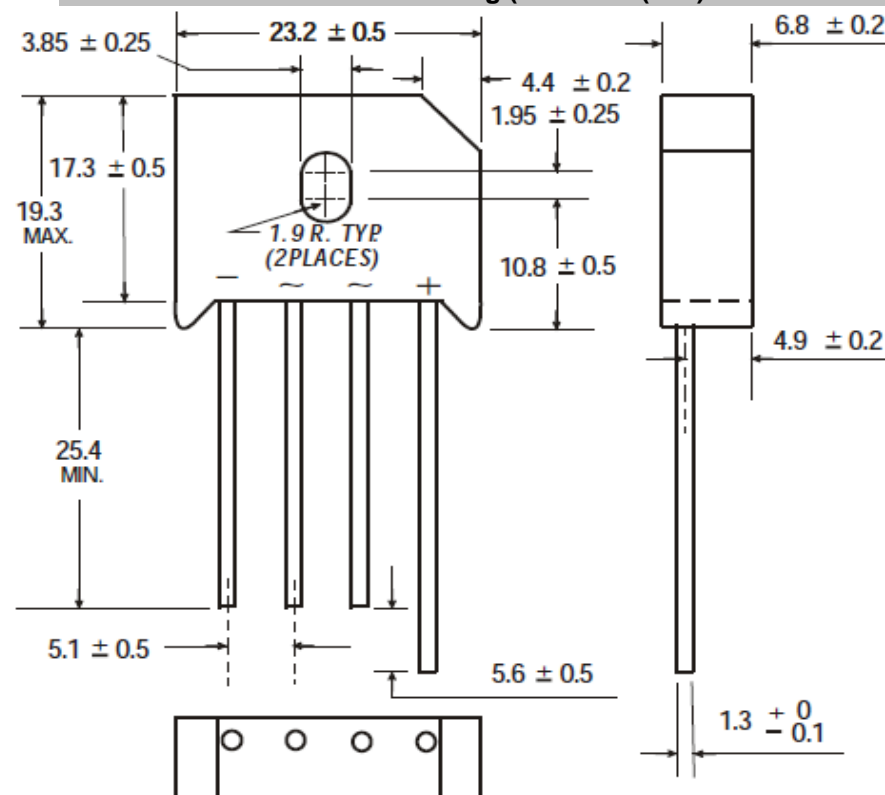
- This series is UL listed under the recognized Component index file number E142814
- The plastic material used carries Underwriters Laboratory flammability recognition 94V-0
- High surge current capability
- Surge overload ratings to 300 amperes
- Terminals: Plated leads solderable per MIL-STD-202, Method 208
- Case: Molded plastic body
- Polarity symbols marked on the body

Weight 8gr.

Maximum Ratings & Electrical Characteristics Ratings at 25°C ambient temperature

Parameter	Symbols	KBU 25005	KBU 2501	KBU 2502	KBU 2504	KBU 2506	KBU 2508	KBU 2510	Unit
Maximum reccurent peak reverse Voltage	VRRM	50	100	200	400	600	800	1000	Volt
Maximum rms Input voltage	VRMS	35	70	140	280	420	560	700	Volt
Maximum dc blocking Voltage	VDC	50	100	200	400	600	800	1000	Volt
Maximum average forward output rectified TA=100°C	I(AV)	25							Amps
Peak forward surge current 8,3ms single half sine-wave	IFSM	350							Amps
Maximum forward voltage drop	VF	1,00							Volt
Maximum revese voltage TA=25°C	IR	10							µA
Maximum revese voltage TA=125°C	IR	500							µA
Operating and storage temperature range	TJ TSTG	-55°C to + 150°C							°C
I²t rating for fusing	I²t	250							A²t
Typical thermal resistance junction to case	R 0 JA	2,7							°C/W

Technical Drawing (Unit: inch(mm))



**Single In-Line Bridge Rectifier
25A**

EDCON-Ser. **E15029**

International Serie: **KBU25xx**

DRW: Jason	CHKD: Wilson	MATL: Wilson	TOLERANCE: Mason	DATE: 10.05.2010
APPD: Schumi	FINISH: Jamy	TOLERANCE: Mason	DATE: 10.05.2010	10.05.2010
			Sheet No.:	1 from 5

www.edcon-components.com

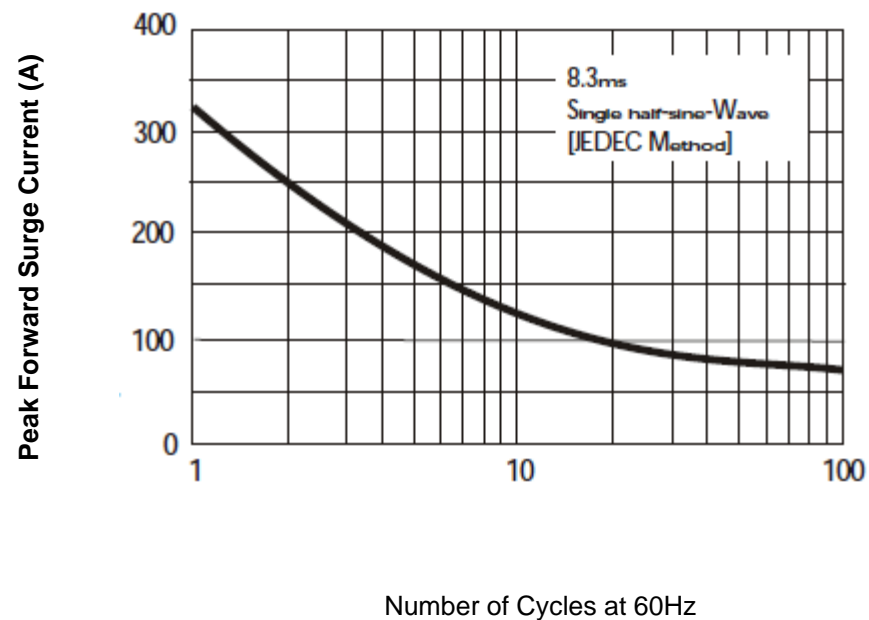
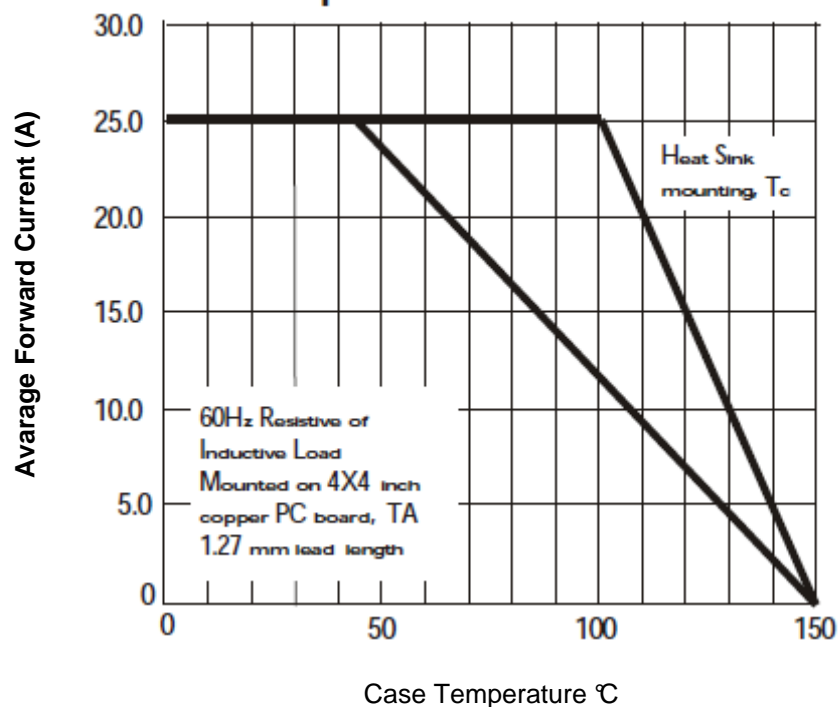
email: info@edcon-components.com



Rating & Characteristics Curves (TA=25°C unless otherwise noted)

Derating Curve for Output Rectified Current

Maximum NON Repetitive Forward Surge Current



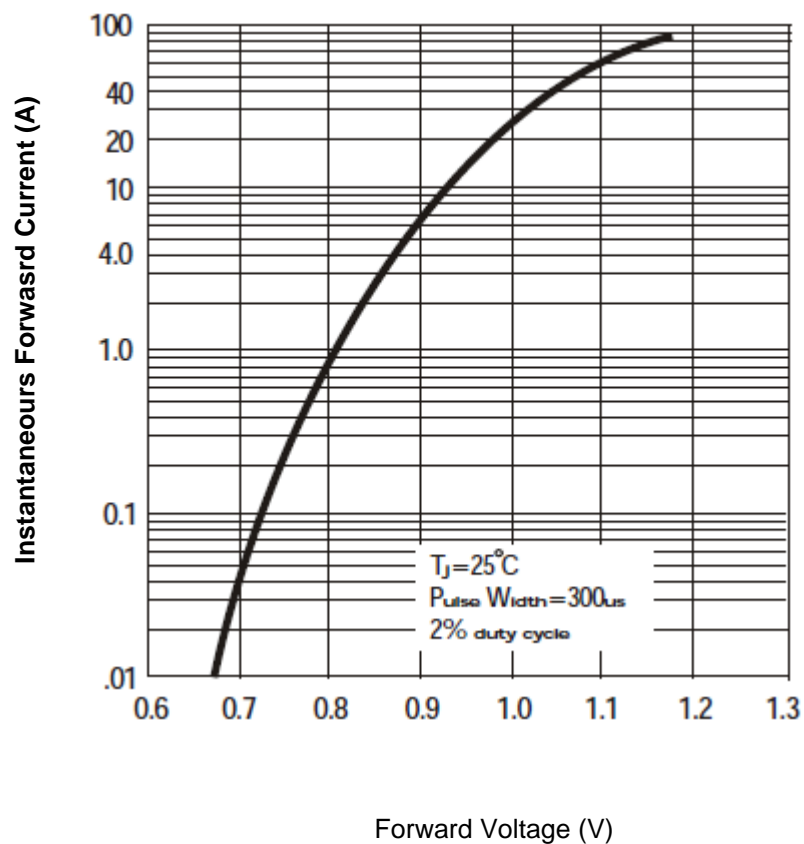
Single In-Line Bridge Rectifier 25A	
EDCON-Ser.	E15029
International Serie:	KBU25xx

DRW:	Jason	CHKD	Wilson	MATL:	Wilson	TOLERANCE	Mason	DATE	10.05.2010
APPD:	Schumi			FINISH	Jamy		Sheet No.	2 from 5	

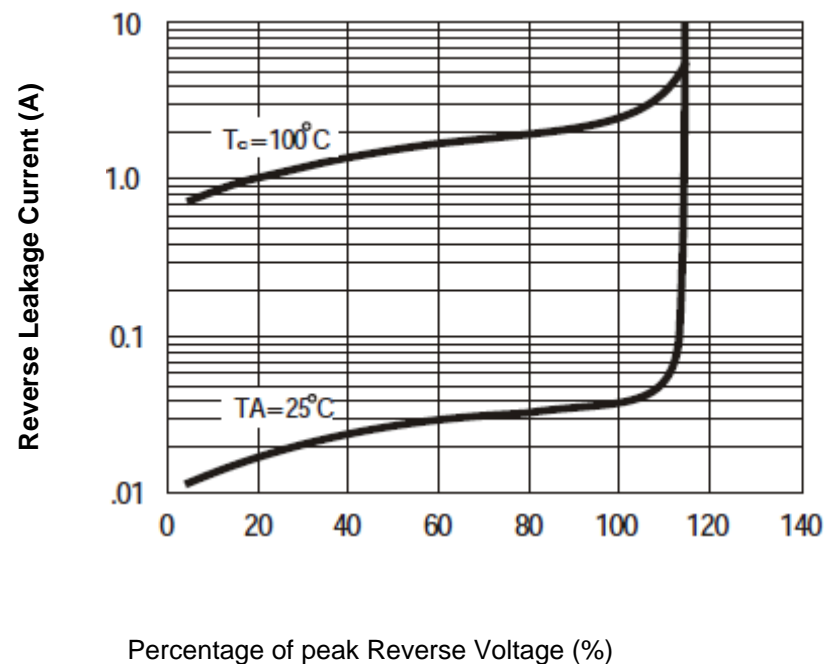


Rating & Characteristics Curves (TA=25°C unless otherwise noted)

Typical Forward Characteristics



Typical Reverse Characteristics



Single Inline Bridge Rectifier 25A	
EDCON-Ser.	E15029
International Serie:	KBU25xx

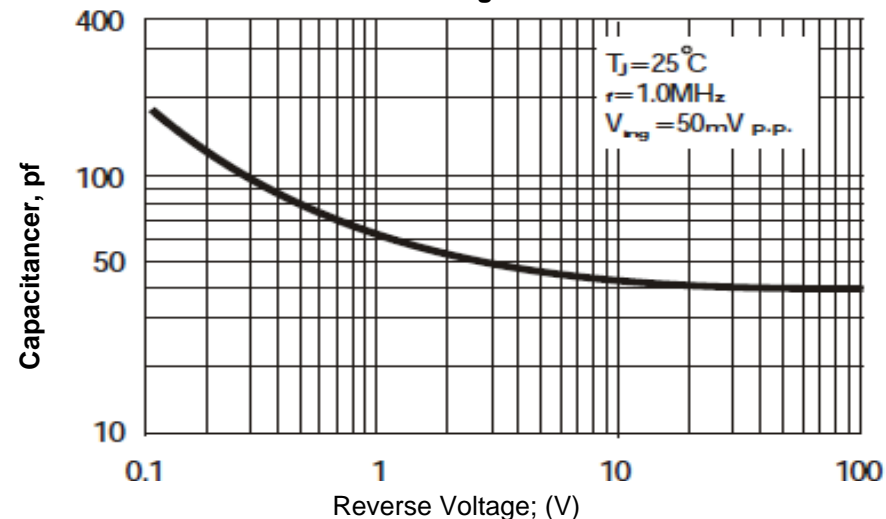
DRW:	Jason	CHKD	Wilson	MATL:	Wilson	TOLERANCE	Mason	DATE	10.05.2010
APPD:	Schumi			FINISH	Jamy		Sheet No.	3 from 5	

EDCON-COMPONENTS



Rating & Characteristics Curves (TA=25°C unless otherwise noted)

Forward Current Derating Curve



Ordering Informations

EDCON Serie	International Type	Lead information	ROHS	Package					
E15029	KBU25xx	LL	R	BX					

Look Voltage Code Table	LL = Long Lead	R = ROHS Conform	BX = Box
	L4 = Lead length 4mm	N = NON ROHS Conform	

Single In-Line Bridge Rectifier 25A	
EDCON-Ser.	E15029
International Serie:	KBU25xx

DRW:	Jason	CHKD	Wilson	MATL:	Wilson	TOLERANCE	Mason	DATE	10.05.2010
APPD:	Schumi			FINISH	Jamy		Sheet No.		4 from 5



Soldering Profile Curve

Classification Reflow Profile (JEDEC J-STD-020C)



Single In-line Bridge Rectifier 25A	
EDCON-Ser.	E15029
International Serie:	KBU25xx

DRW:	Jason	CHKD	Wilson	MATL:	Wilson	TOLERANCE	Mason	DATE	10.05.2010
APPD:	Schumi			FINISH	Jamy		Sheet No.	5 from 5	