

EDCON-COMPONENTS



Specifications

Features

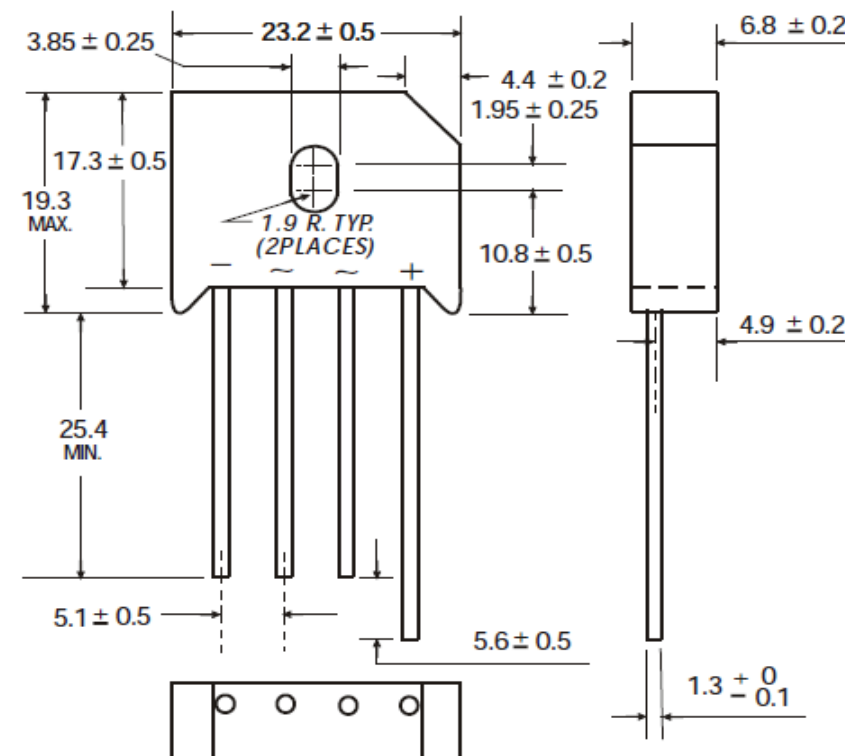
- The plastic material used carries Underwriters Laboratory flammability recognition 94V-0
- This Serie is UL listed under the recognized Component Index file number E142814
- High surge current capability
- Plated leads solderable per MIL-STD-. 202 Method 208
- Molded plastic body

Weight 8,0gr.

Maximum Ratings & Electrical Characteristics Ratings at 25°C ambient temperature

	Sym bols	KBU 10005	KBU 1001	KBU 1002	KBU 1004	KBU 1006	KBU 1008	KBU 1010	Unit
Maximum reecurrent peak reverse Voltage	VRRM	50	100	200	400	600	800	1000	Volt
Maximum rms Input voltage	VRMS	35	70	140	280	420	560	700	Volt
Maximum dc blocking Voltage	VDC	50	100	200	400	600	800	1000	Volt
Maximum average forward output rectified TA=100°C	I(AV)	10							Amps
Peak forward surge current 8,3ms single half sine-wave	IFSM	300							Amps
Maximum forward voltage drop	VF	1,05							Volt
Maximum revese voltage TA=25°C	IR	10							µA
Maximum revese voltage TA=125°C	IR	500							µA
Operating and storage temperature range	TJ TSTG	-55°C to + 150°C							°C
I²t rating for fusing	I²t	300							A²t
Typical thermal resistance junction to case	R 0 JA	2,7							°C/W

Technical Drawing (Unit: inch(mm))



**Single-Inline Bridge Rectifier
10A**

EDCON-Ser. **E15021**

International Serie: **KBU10xx**

DRW: Jason	CHKD: Wilson	MATL: Wilson	TOLERANCE: Mason	DATE: 10.05.2010
APPD: Schumi	FINISH: Jamy		Sheet No.:	1 from 5

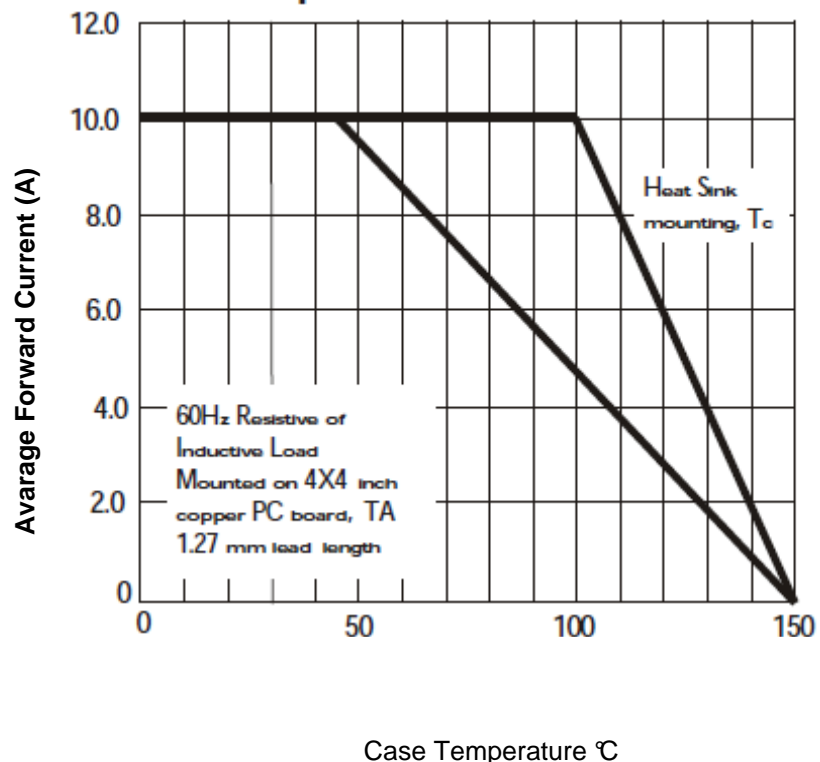
www.edcon-components.com

email: info@edcon-components.com

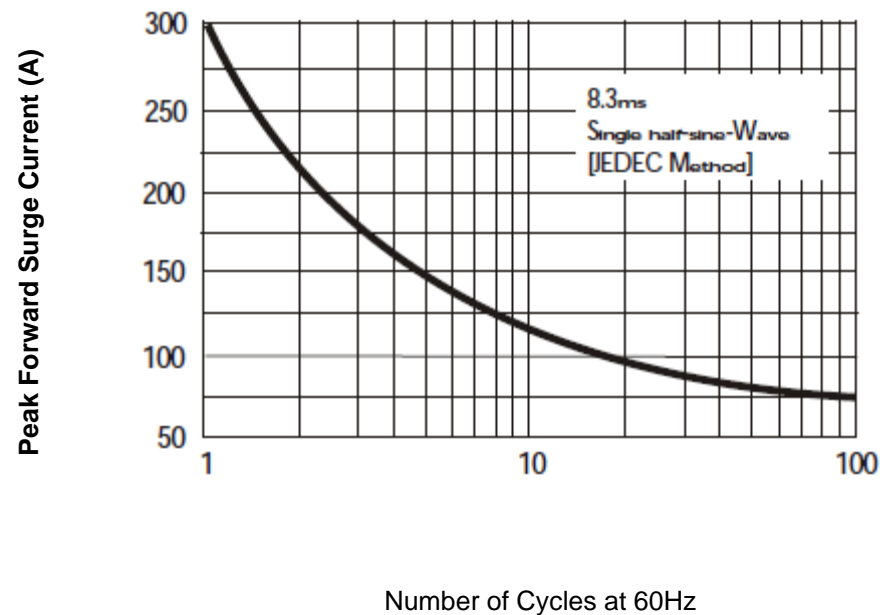


Rating & Characteristics Curves (TA=25°C unless otherwise noted)

Derating Curve for Output Rectified Current



Maximum NON Repetitive Forward Surge Current



**Single-Inline Bridge Rectifier
10A**

EDCON-Ser. **E15021**

International Serie: **KBU10xx**

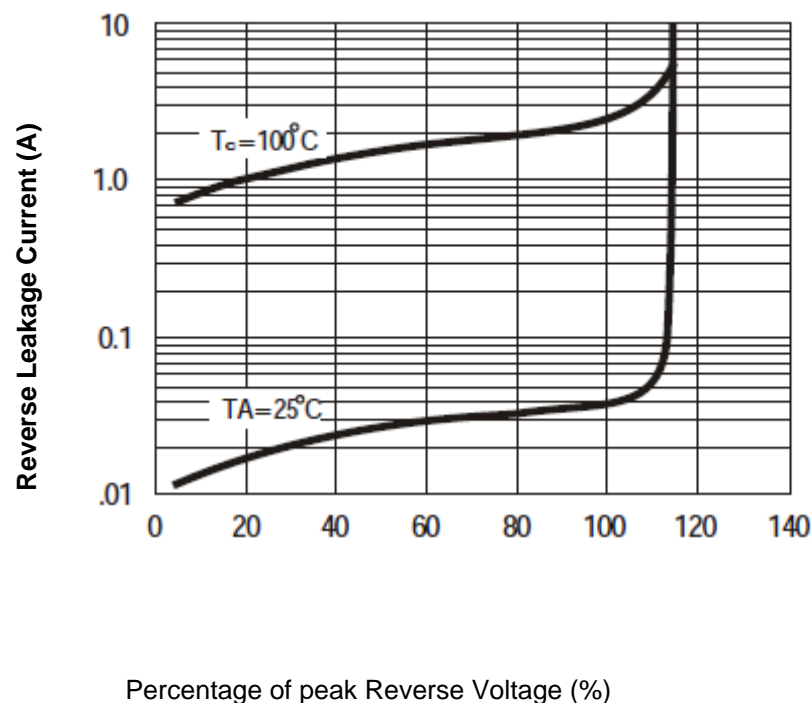
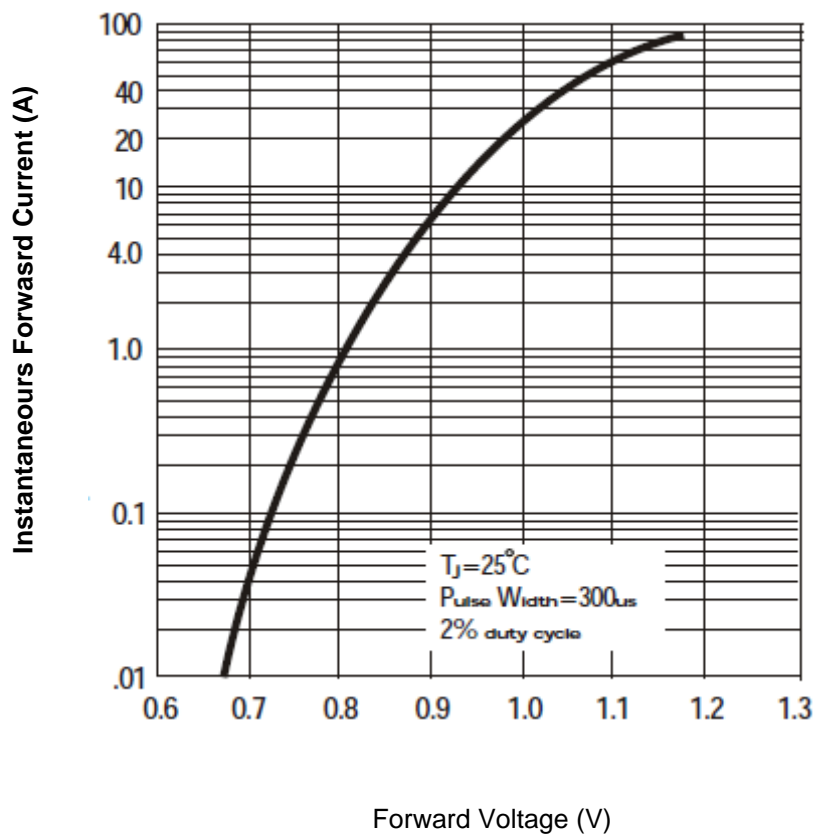
DRW:	Jason	CHKD	Wilson	MATL:	Wilson	TOLERANCE	Mason	DATE	10.05.2010
APPD:	Schumi			FINISH	Jamy		Sheet No.	2 from 5	



Rating & Characteristics Curves (TA=25°C unless otherwise noted)

Typical Forward Characteristics

Typical Reverse Characteristics



Single-Inline Bridge Rectifier 10A	
EDCON-Ser.	E15021
International Serie:	KBU10xx

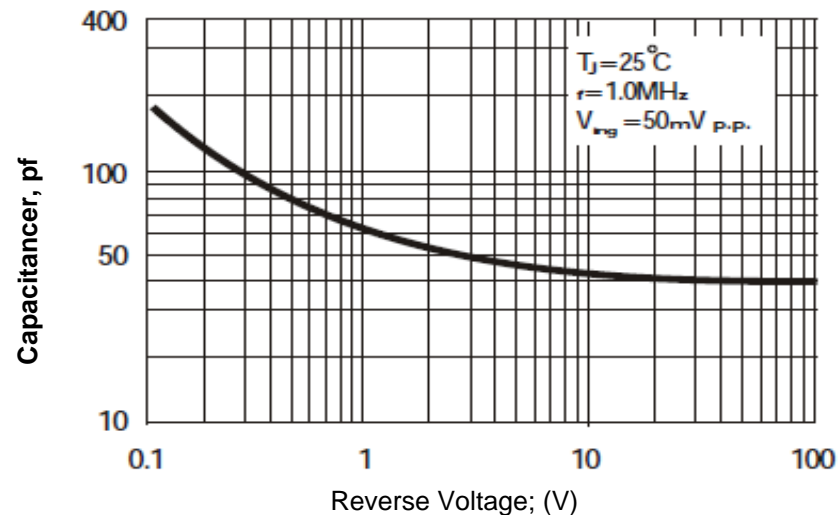
DRW:	Jason	CHKD	Wilson	MATL:	Wilson	TOLERANCE	Mason	DATE	10.05.2010
APPD:	Schumi			FINISH	Jamy		Sheet No.	3 from 5	

EDCON-COMPONENTS



Rating & Characteristics Curves (TA=25°C unless otherwise noted)

Forward Current Derating Curve



Ordering Informations

EDCON Serie	International Type	NO function	ROHS	Package					
-------------	--------------------	-------------	------	---------	--	--	--	--	--

E15021	KBU10xx	LL	R	BX					
---------------	----------------	-----------	----------	-----------	--	--	--	--	--

Look Voltage Code Table	LL = Long Lead	R = ROHS Conform	BX = Box
	L4 = Lead length 4mm	N = NON ROHS Conform	

Single-Inline Bridge Rectifier 10A	
EDCON-Ser.	E15021
International Serie:	KBU10xx

DRW:	Jason	CHKD	Wilson	MATL:	Wilson	TOLERANCE	Mason	DATE	10.05.2010
APPD:	Schumi			FINISH	Jamy		Sheet No.		4 from 5



Soldering Profile Curve

Classification Reflow Profile (JEDEC J-STD-020C)



Single-Inline Bridge Rectifier 10A	
EDCON-Ser.	E15021
International Serie:	KBU10xx

DRW:	Jason	CHKD	Wilson	MATL:	Wilson	TOLERANCE	Mason	DATE	10.05.2010
APPD:	Schumi			FINISH	Jamy		Sheet No.	5 from 5	