

EDCON-COMPONENTS



Specifications

Features

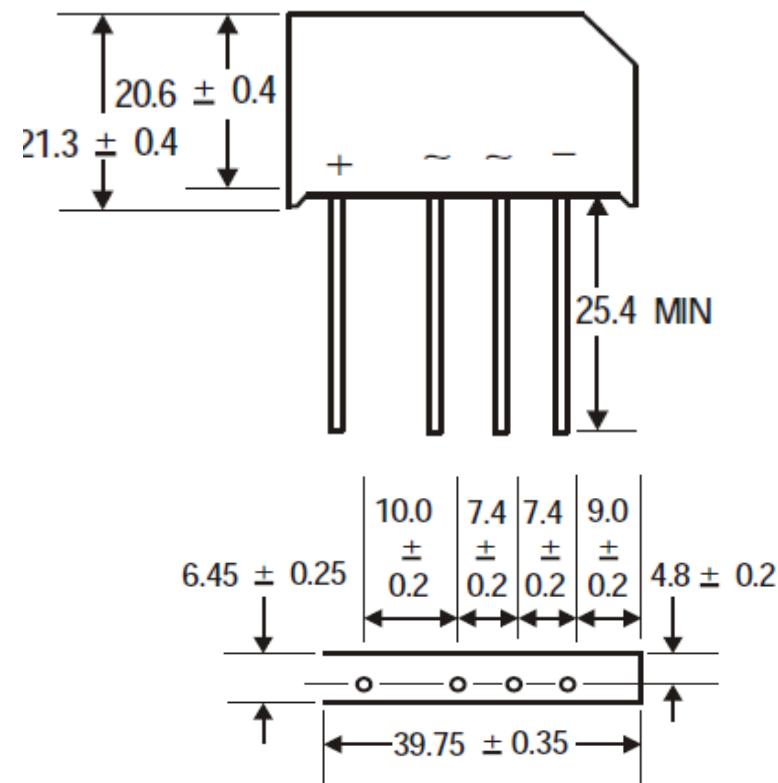
- The plastic material used carries Underwriters Laboratory flammability recognition 94V-0
- High surge current capability
- Polarity symbols molded on body
- This series is UL listed under the Recognized Component Index file number E142814
- Plated leads solderable per MIL-STD-. 202 Method 208
- Polarity symbols marked on body
- Reliable low cost construction utilizing molded plastic technique.

Weight 25,3gr.

Maximum Ratings & Electrical Characteristics Ratings at 25°C ambient temperature

	Symbols	RS 501	RS 502	RS 503	RS 504	RS 505	RS 506	RS 507	Unit
Maximum reeurrent peak reverse Voltage	VRRM	50	100	200	400	600	800	1000	Volt
Maximum rms Input voltage	VRMS	35	70	140	280	420	560	700	Volt
Maximum dc blocking Voltage	VDC	50	100	200	400	600	800	1000	Volt
Maximum average forward output rectified TA=100°C	I(AV)	5,0							Amps
Peak forward surge current 8,3ms single half sine-wave	IFSM	200							Amps
Maximum forward voltage drop	VF	1,1							Volt
Maximum revese voltage TA=25°C	IR	10							µA
Maximum revese voltage TA=125°C	IR	500							µA
Operating and storage temperature range	TJ TSTG	-55°C to + 150°C							°C
Type junction capacitance VR=4,0V f=1,0Mhz	CJ	24							pF
I ² t rating for fusing	I ² t	10							A ² t
Typical thermal resistance junction to case	R 0 JA	50							°C/W

Technical Drawing (Unit: inch(mm))



**Single Inline Bridge Rectifier
5,0A**

EDCON-Ser. **E15011**

International Serie: **RS5xx**

DRW:	Jason	CHKD	Wilson	MATL:	Wilson	TOLERANCE	Mason	DATE	10.05.2010
APPD:	Schumi			FINISH	Jamy		Sheet No.		1 from 5

www.edcon-components.com

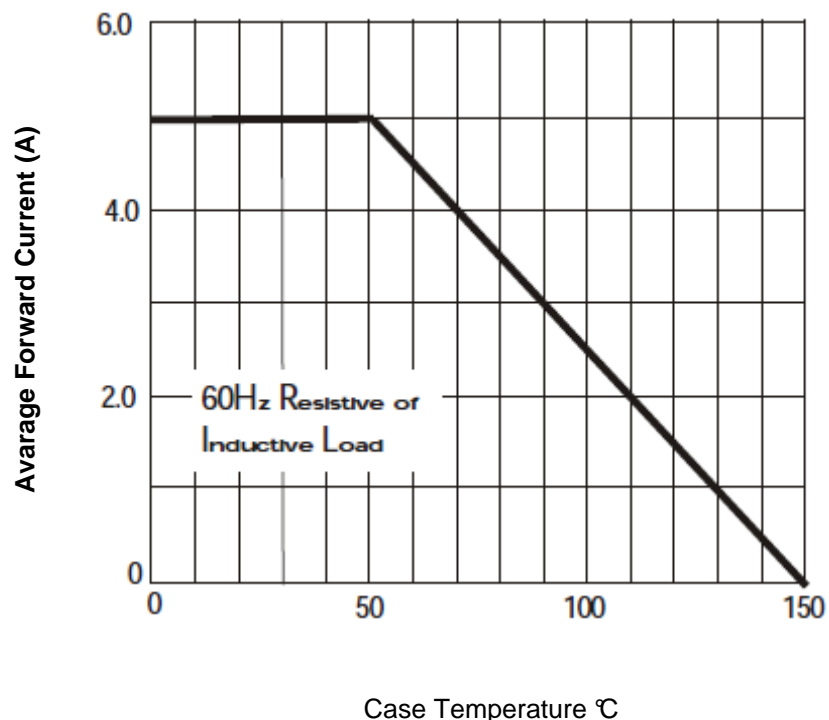
email: info@edcon-components.com

EDCON-COMPONENTS

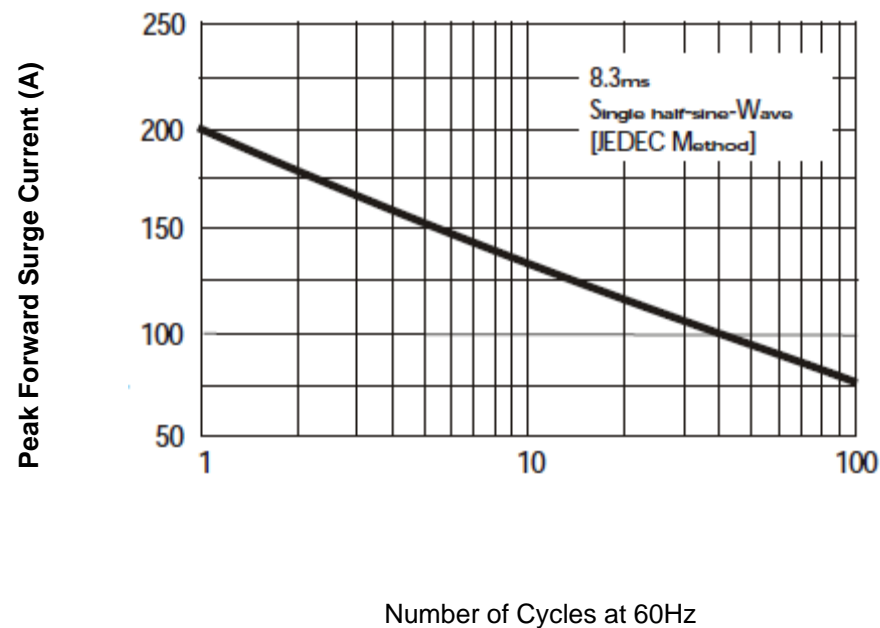


Rating & Characteristics Curves (TA=25°C unless otherwise noted)

Derating Curve for Output Rectified Current



Maximum NON Repetitive Forward Surge Current



Single Inline Bridge Rectifier 5,0A	
EDCON-Ser.	E15011
International Serie:	RS5xx

DRW:	Jason	CHKD	Wilson	MATL:	Wilson	TOLERANCE	Mason	DATE	10.05.2010
APPD:	Schumi			FINISH	Jamy		Sheet No.	2 from 5	

www.edcon-components.com

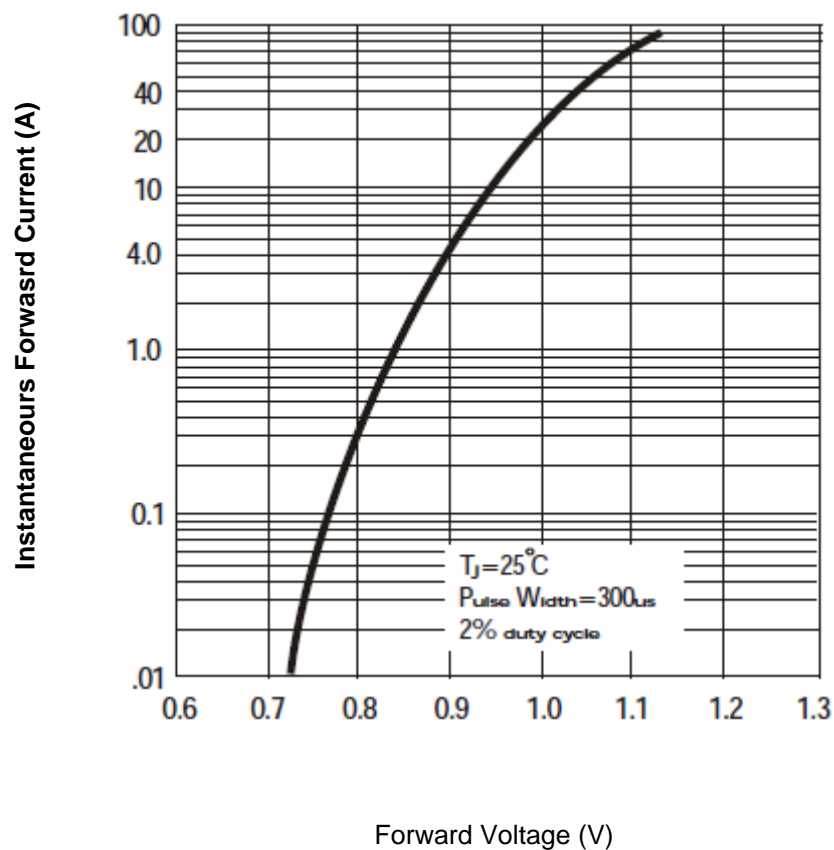
email: info@edcon-components.com

EDCON-COMPONENTS

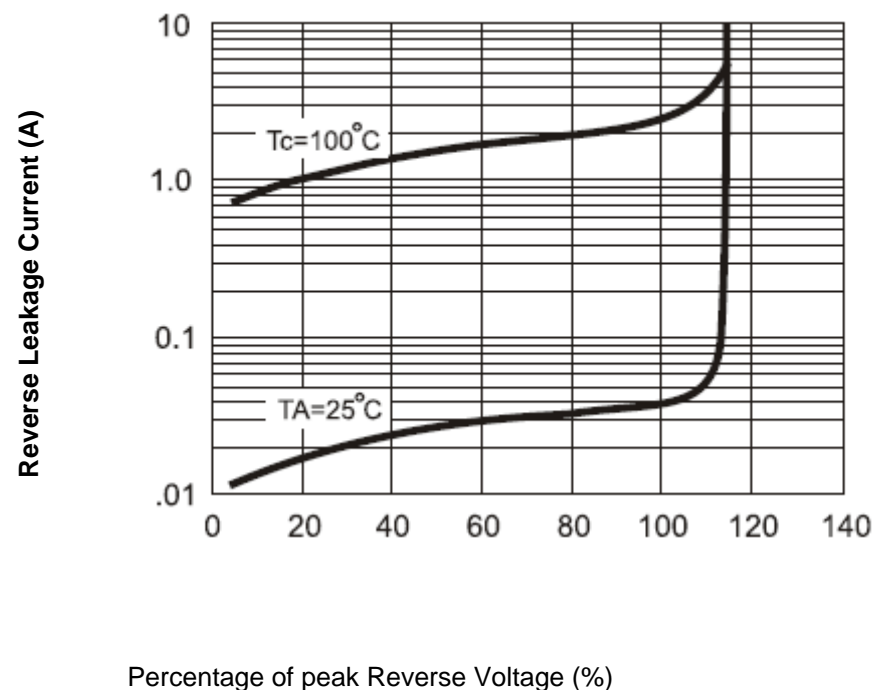


Rating & Characteristics Curves (TA=25°C unless otherwise noted)

Typical Forward Characteristics



Typical Reverse Characteristics



Single Inline Bridge Rectifier 5,0A	
EDCON-Ser.	E15011
International Serie:	RS5xx

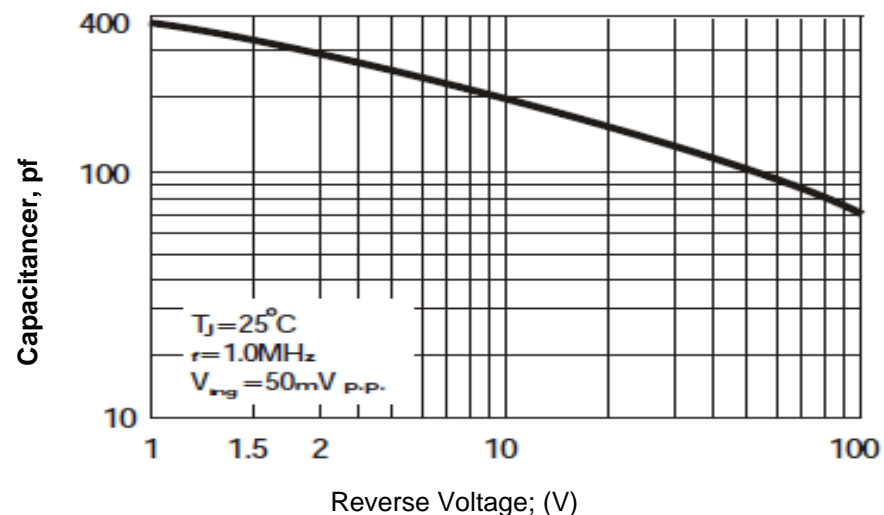
DRW:	Jason	CHKD	Wilson	MATL:	Wilson	TOLERANCE	Mason	DATE	10.05.2010
APPD:	Schumi			FINISH	Jamy		Sheet No.	3 from 5	

EDCON-COMPONENTS



Rating & Characteristics Curves (TA=25°C unless otherwise noted)

Forward Current Derating Curve



Ordering Informations

EDCON Serie	International Type	NO function	ROHS	Package					
E15011	RS5xx	LL	R	BX					

Look Voltage Code Table	LL = Long Lead	R = ROHS Conform	BX = Box
	L4 = Lead length 4mm	N = NON ROHS Conform	

Single Inline Bridge Rectifier 5,0A	
EDCON-Ser.	E15011
International Serie:	RS5xx

DRW:	Jason	CHKD	Wilson	MATL:	Wilson	TOLERANCE	Mason	DATE	10.05.2010
APPD:	Schumi			FINISH	Jamy		Sheet No.		4 from 5



Soldering Profile Curve

Classification Reflow Profile (JEDEC J-STD-020C)



Single Inline Bridge Rectifier 5,0A	
EDCON-Ser.	E15011
International Serie:	RS5xx

DRW:	Jason	CHKD	Wilson	MATL:	Wilson	TOLERANCE	Mason	DATE	10.05.2010
APPD:	Schumi			FINISH	Jamy		Sheet No.	5 from 5	