

EDCON-COMPONENTS



Specifications

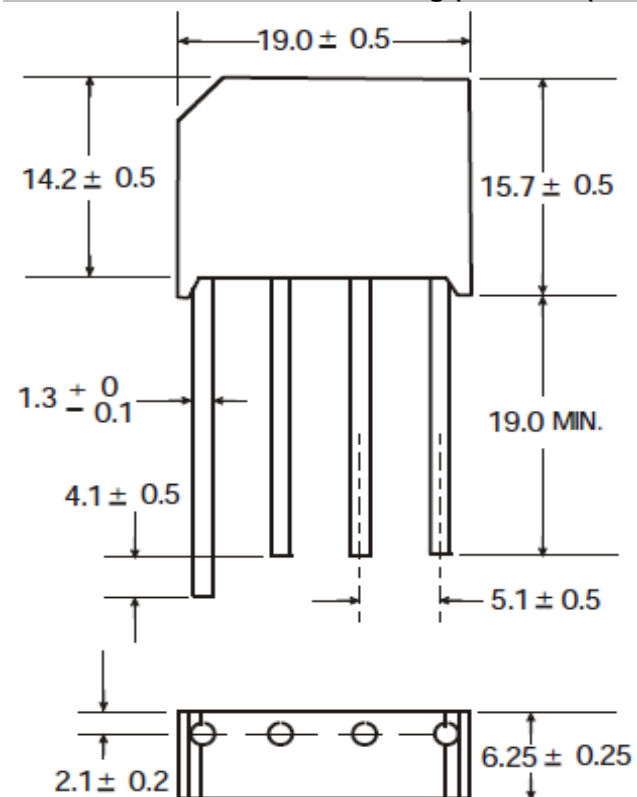
Features

- This Serie is UL listed under the recognized Component index file number E142814
- Ideal for printed circuits board mounting
- High temperature metallurgical bonded internal rectifiers
- Typical Ir less than 1μA
- The plastic material used carries Underwriters Laboratory flammability recognition 94V-0
- Built in printed circuit boards stand-off
- Plated leads solderable per MIL-STD-. 202 Method 208
- Reliable low cost construction utilizing molded plastic technique
- Weight 5,6gr.

Maximum Ratings & Electrical Characteristics Ratings at 25°C ambient temperature

| | Sym bols | KBL 005 | KBL 01 | KBL 02 | KBL 04 | KBL 06 | KBL 08 | KBL 10 | Unit |
|---|------------|------------------|--------|--------|--------|--------|--------|--------|------|
| Maximum reecurrent peak reverse Voltage | VRRM | 50 | 100 | 200 | 400 | 600 | 800 | 1000 | Volt |
| Maximum rms Input voltage | VRMS | 35 | 70 | 140 | 280 | 420 | 560 | 700 | Volt |
| Maximum dc blocking Voltage | VDC | 50 | 100 | 200 | 400 | 600 | 800 | 1000 | Volt |
| Maximum average forward output rectified TA=100°C | I(AV) | 4,0 | | | | | | | Amps |
| Peak forward surge current 8,3ms single half sine-wave | IFSM | 200 | | | | | | | Amps |
| Maximum forward voltage drop | VF | 1,1 | | | | | | | Volt |
| Maximum revese voltage TA=25°C | IR | 10 | | | | | | | μA |
| Maximum revese voltage TA=125°C | IR | 1000 | | | | | | | μA |
| Operating and storage temperature range | TJ TSTG | -55°C to + 150°C | | | | | | | °C |
| I²t rating for fusing | I²t | 166 | | | | | | | A²t |
| Typical thermal resistance junction to case | R 0 JA | 10 | | | | | | | °C/W |

Technical Drawing (Unit: inch(mm))



Single Inline Bridge Rectifier
4,0A

EDCON-Ser. **E15010**

International Serie: **KBLxx**

| | | | | | | | | | |
|-------|--------|------|--------|--------|--------|-----------|-----------|------|------------|
| DRW: | Jason | CHKD | Wilson | MATL: | Wilson | TOLERANCE | Mason | DATE | 10.05.2010 |
| APPD: | Schumi | | | FINISH | Jamy | | Sheet No. | | 1 from 5 |

www.edcon-components.com

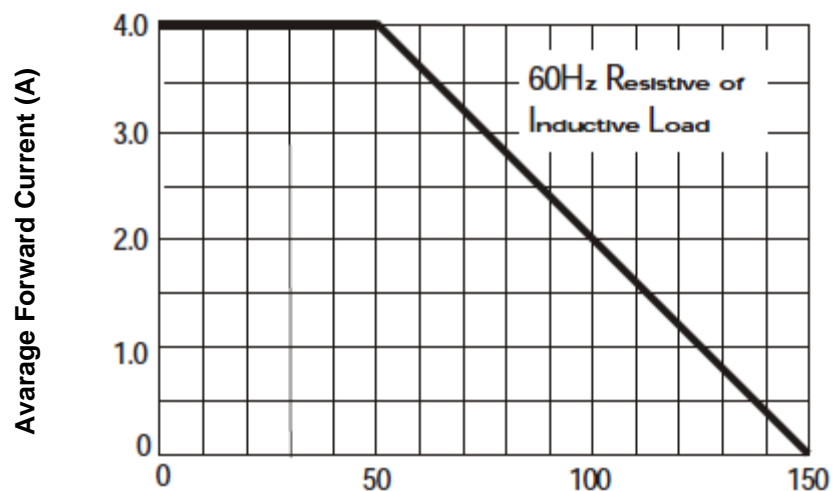
email: info@edcon-components.com

EDCON-COMPONENTS



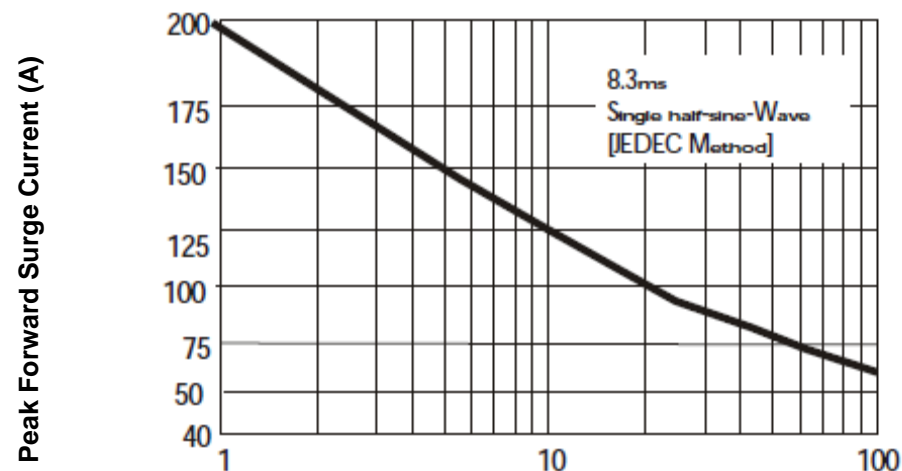
Rating & Characteristics Curves (TA=25°C unless otherwise noted)

Derating Curve for Output Rectified Current



Ambient Temperature °C

Maximum NON Repetitive Forward Surge Current



Number of Cycles at 60Hz

**Single Inline Bridge Rectifier
4,0A**

EDCON-Ser. **E15010**

International Serie: **KBLxx**

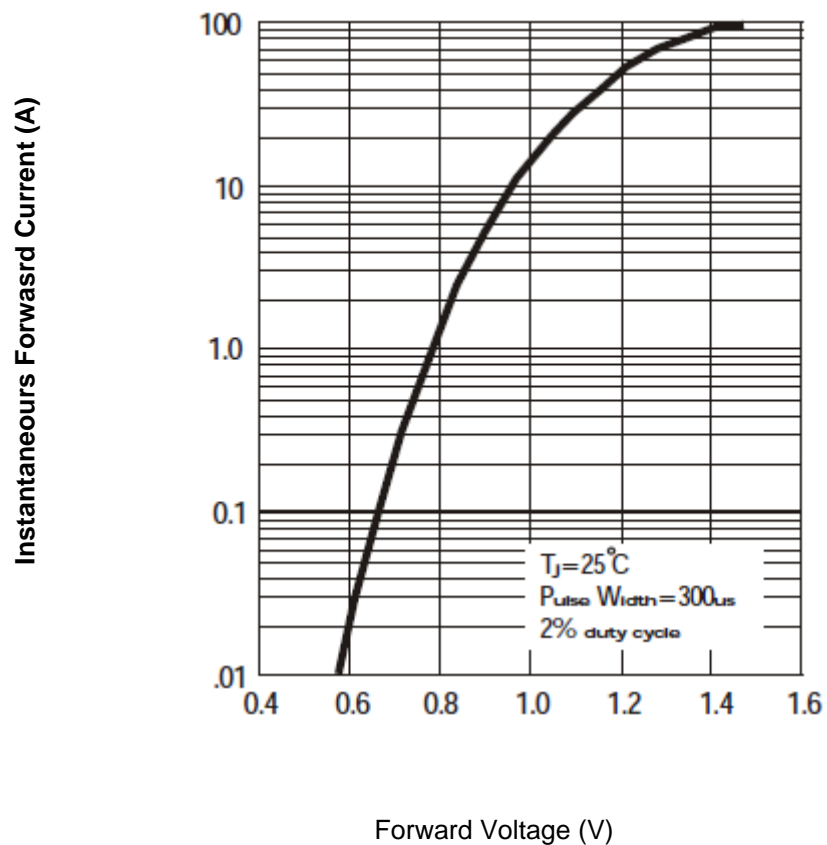
| | | | | | | | | | |
|-------|--------|------|--------|--------|--------|-----------|-----------|----------|------------|
| DRW: | Jason | CHKD | Wilson | MATL: | Wilson | TOLERANCE | Mason | DATE | 10.05.2010 |
| APPD: | Schumi | | | FINISH | Jamy | | Sheet No. | 2 from 5 | |

EDCON-COMPONENTS

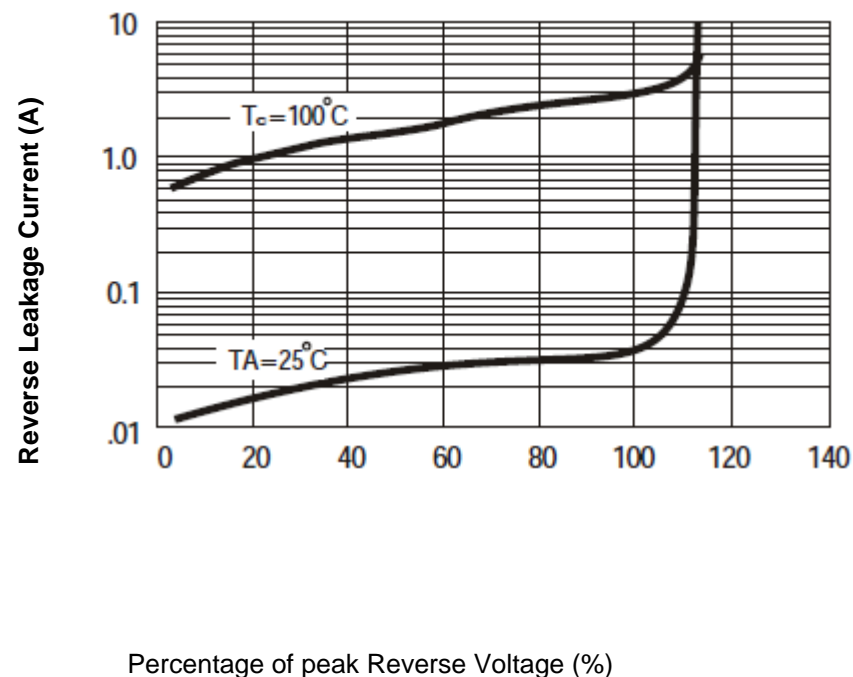


Rating & Characteristics Curves (TA=25°C unless otherwise noted)

Typical Forward Characteristics



Typical Reverse Characteristics



**Single Inline Bridge Rectifier
4,0A**

EDCON-Ser. **E15010**

International Serie: **KBLxx**

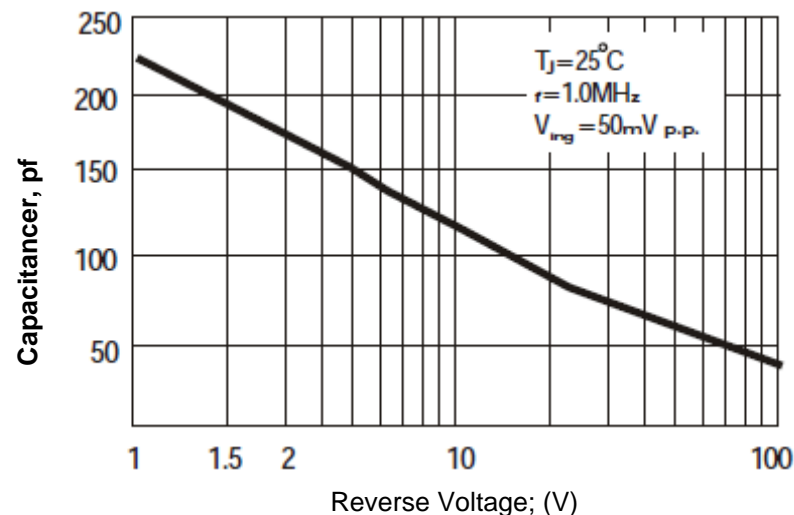
| | | | | | | | | | |
|-------|--------|------|--------|--------|--------|-----------|-----------|----------|------------|
| DRW: | Jason | CHKD | Wilson | MATL: | Wilson | TOLERANCE | Mason | DATE | 10.05.2010 |
| APPD: | Schumi | | | FINISH | Jamy | | Sheet No. | 3 from 5 | |

EDCON-COMPONENTS



Rating & Characteristics Curves (TA=25°C unless otherwise noted)

Forward Current Derating Curve



Ordering Informations

| | | | | | | | | | |
|-------------|--------------------|-------------|------|---------|--|--|--|--|--|
| EDCON Serie | International Type | NO function | ROHS | Package | | | | | |
|-------------|--------------------|-------------|------|---------|--|--|--|--|--|

| | | | | | | | | | |
|---------------|--------------|-----------|----------|-----------|--|--|--|--|--|
| E15010 | KBLxx | LL | R | BX | | | | | |
|---------------|--------------|-----------|----------|-----------|--|--|--|--|--|

| | | | |
|-------------------------|-----------------------------|-----------------------------|-----------------|
| Look Voltage Code Table | LL = Long Lead | R = ROHS Conform | BX = Box |
| | L4 = Lead length 4mm | N = NON ROHS Conform | |

| | |
|--|---------------|
| Single Inline Bridge Rectifier 4,0A | |
| EDCON-Ser. | E15010 |
| International Serie: | KBLxx |

| | | | | | | | | | |
|-------|--------|------|--------|--------|--------|-----------|-----------|------|------------|
| DRW: | Jason | CHKD | Wilson | MATL: | Wilson | TOLERANCE | Mason | DATE | 10.05.2010 |
| APPD: | Schumi | | | FINISH | Jamy | | Sheet No. | | 4 from 5 |



Soldering Profile Curve

Classification Reflow Profile (JEDEC J-STD-020C)



| | |
|---|---------------|
| Single In-line Bridge Rectifier 4,0A | |
| EDCON-Ser. | E15010 |
| International Serie: | KBLxx |

| | | | | | | | | | |
|-------|--------|------|--------|--------|--------|-----------|-----------|----------|------------|
| DRW: | Jason | CHKD | Wilson | MATL: | Wilson | TOLERANCE | Mason | DATE | 10.05.2010 |
| APPD: | Schumi | | | FINISH | Jamy | | Sheet No. | 5 from 5 | |