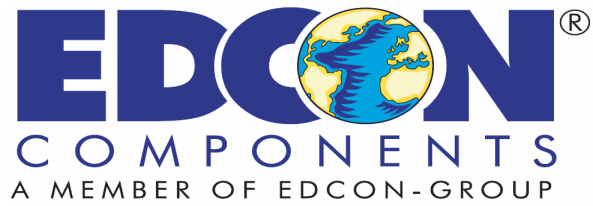


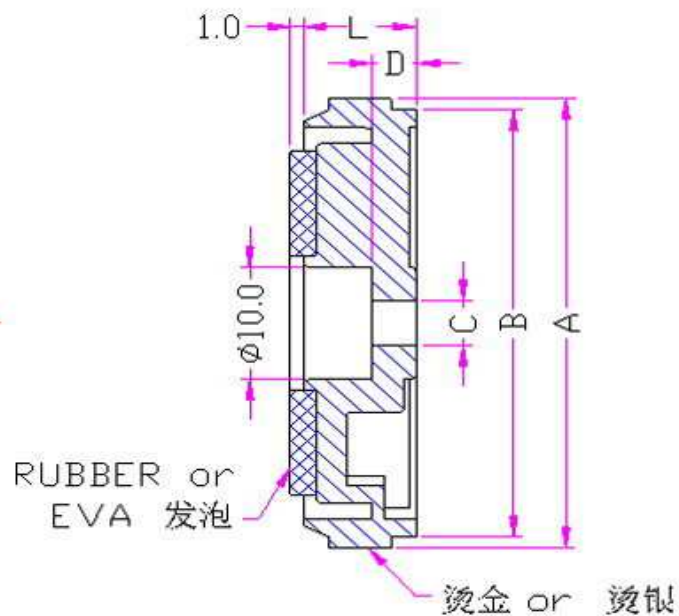
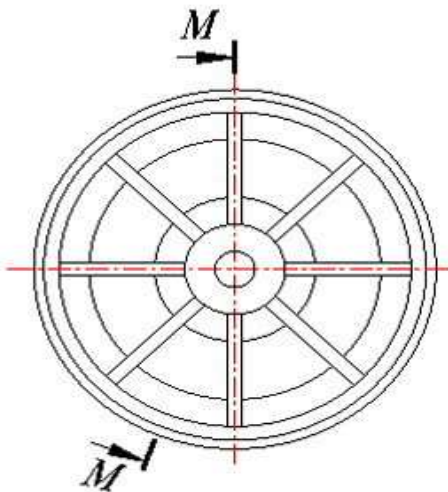
EDCON-COMPONENTS

FOOT



Material: ABS

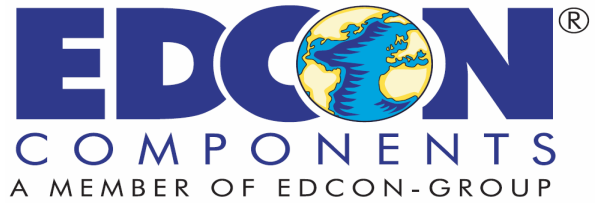
Color: Black



FOOT

EDCON-COMPONENTS

FOOT



Code length table

Code	A (mm)	B (mm)	C (mm)	D (mm)	L (mm)	
A1	40,00	38,0	4,00	3,50	9,00	
A2	40,00	38,0	4,00	2,50	9,00	
A3	50,00	48,0	4,40	3,00	11,50	
A4	50,00	48,0	4,40	3,00	17,00	

FOOT



Serie	Code Length	No Finction	Color	Packing		
N29002	A1	0	BK	B		
	A1~		BK=Black	B=Bulk		