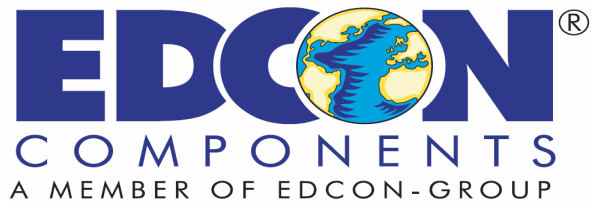


EDCON-COMPONENTS

LED SPACER NATURE

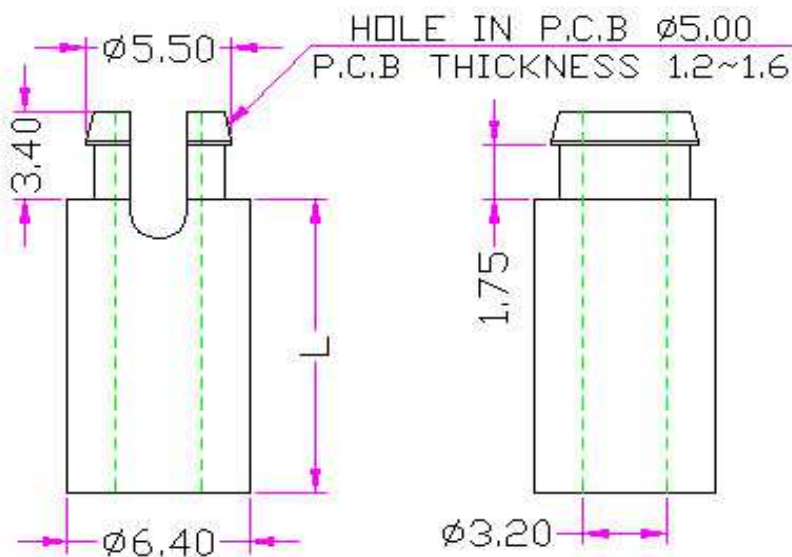


Material: Nylon 6 UL94V-2

Color: Natural



PCB HOLE Diameter A=5,0mm



LED SPACER NATURE

