

EDCON-COMPONENTS

LED SPACER NATURE



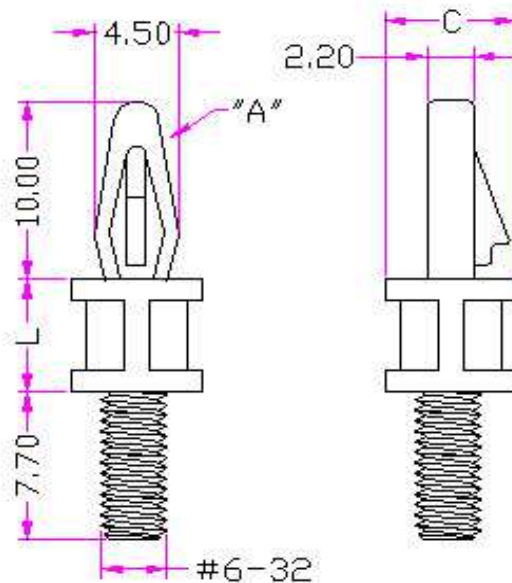
Material: Nylon 6 UL94V-2

Color: Natural



PCB HOLE Diameter A=4,0mm

"A" HOLE IN P.C.B ϕ 4,00
P.C.B THICKNESS 1,6



LED SPACER NATURE

