

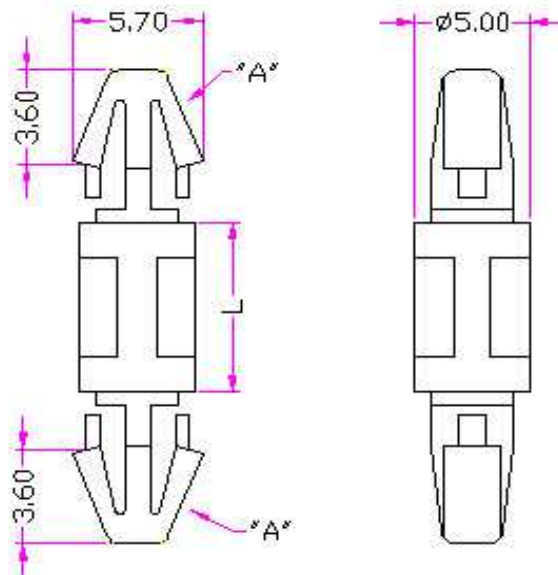
EDCON-COMPONENTS

LED SPACER BLACK



Material: Nylon 66 UL94V-2

Color: Natural



"A" HOLE IN P.C.B Ø4.0
P.C.B THICKNESS 1.4-1.7

LED SPACER BLACK

