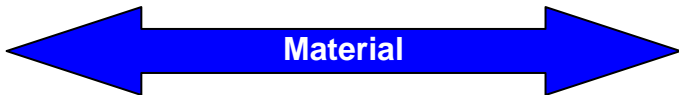


EDCON-COMPONENTS

ROUND SPACER AD=9,0MM / ID=6,0MM

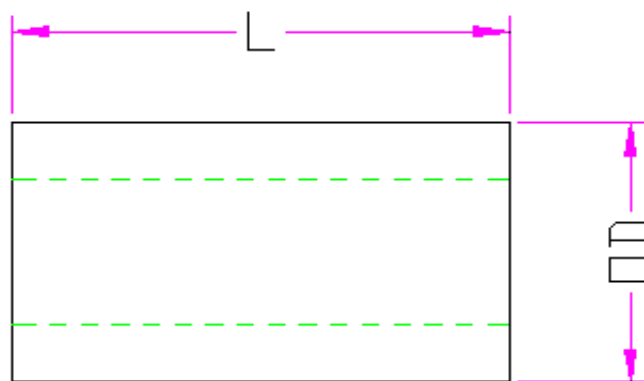
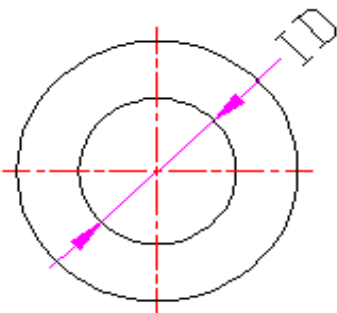


Material: Nylon 66 (UL94V-2)

Color: Natural



Dimension	OD	ID		
	9,0mm	6,0mm		



ROUND SPACER AD=9,0MM / ID=6,0MM

EDCON-COMPONENTS

ROUND SPACER AD=9,0MM / ID=6,0MM



Length/mm	Code Length
2,0	020
3,0	030
4,0	040
5,0	050
6,0	060
7,0	070
8,0	080
9,0	090
10,0	100
11,0	110
12,0	120
13,0	130
14,0	140
15,0	150
16,0	160
17,0	170
18,0	180
19,0	190
20,0	200

Length/mm	Code Length
21,0	210
22,0	220
23,0	230
24,0	240
25,0	250
26,0	260
27,0	270
28,0	280
29,0	290
30,0	300
31,0	310
32,0	320

Length/mm	Code Length



Serie		Code Length	Material	Color	Packing		
N16051	-	020	N	N	B		
		020=2,0mm	N=Nylon	N= Natural	B=Bulk		

ROUND SPACER AD=9,0MM / ID=6,0MM