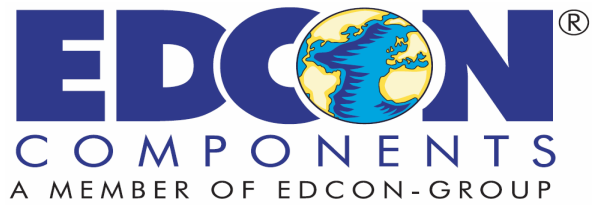
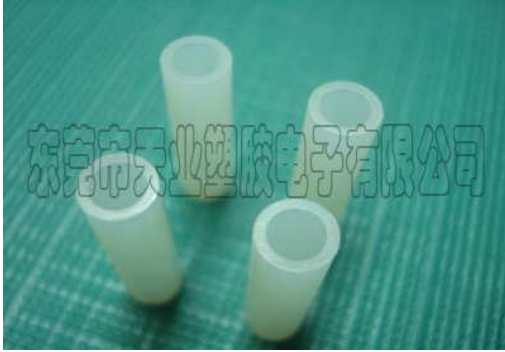


# EDCON-COMPONENTS

ROUND SPACER AD=21,0MM / ID=12,6MM

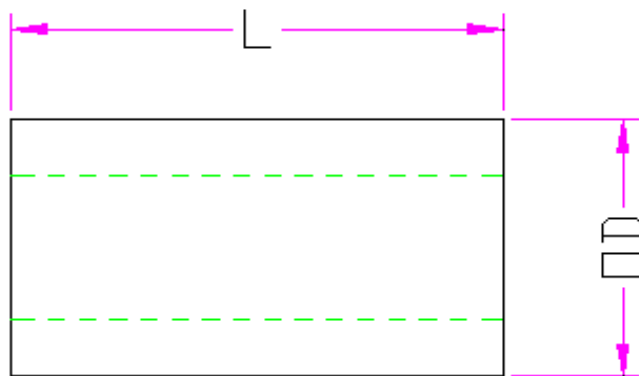
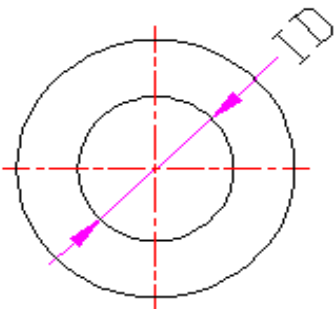


Material: Nylon 66 (UL94V-2)

Color: Natural



Dimension	OD	ID		
	21,0mm	12,6mm		



ROUND SPACER AD=21,0MM / ID=12,6MM

