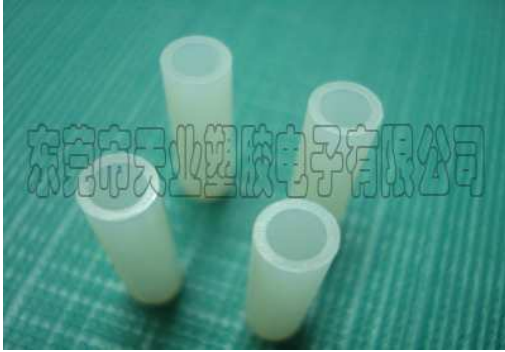


EDCON-COMPONENTS

ROUND SPACER AD=18,0MM / ID=8,20MM

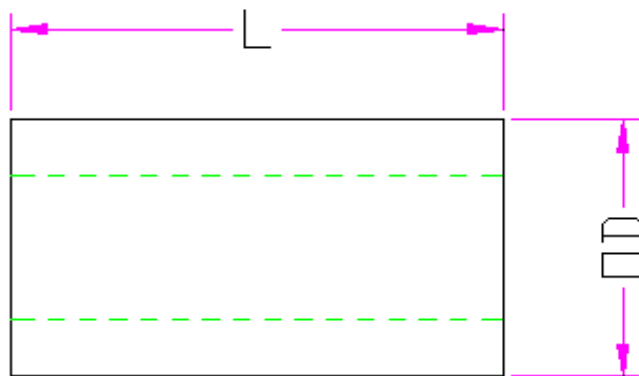
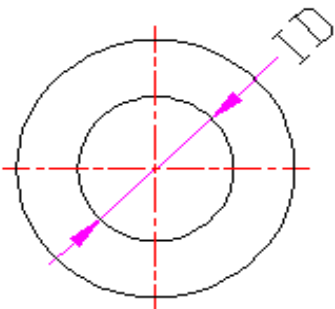


Material: Nylon 66 (UL94V-2)

Color: Natural



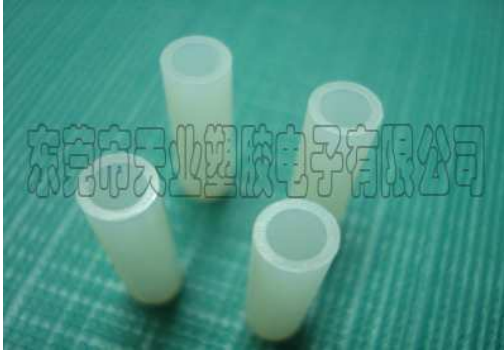
Dimension	OD	ID		
	18,0mm	8,20mm		



ROUND SPACER AD=18,0MM / ID=8,20MM

EDCON-COMPONENTS

ROUND SPACER AD=18,0MM / ID=8,20MM



Length/mm	Code Length
3,0	030
3,5	035
4,0	040
4,5	045
5,0	050
5,5	055
6,0	060
6,5	065
7,0	070
7,5	075
8,0	080
8,5	085
9,0	090

Length/mm	Code Length

Length/mm	Code Length

Ordering Informations

Serie	Code Length	Material	Color	Packing		
N16044	030	N	N	B		
	030=3,0mm	N=Nylon	N= Natural	B=Bulk		

ROUND SPACER AD=18,0MM / ID=8,20MM