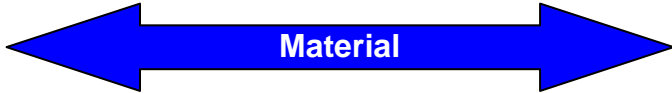
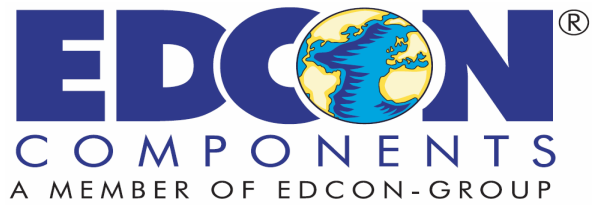


EDCON-COMPONENTS

ROUND SPACER AD=18,0MM / ID=6,20MM

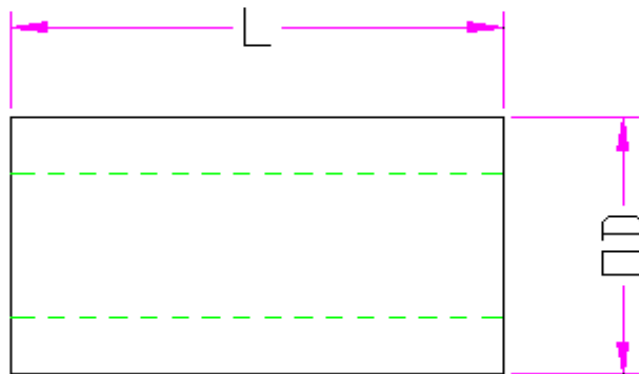
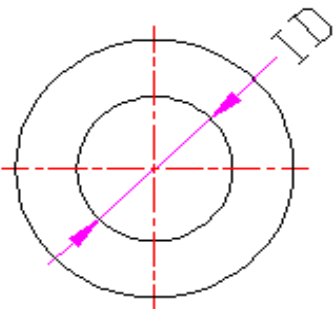


Material: Nylon 66 (UL94V-2)

Color: Natural



Dimension	OD	ID		
	18,0mm	6,20mm		



ROUND SPACER AD=18,0MM / ID=6,20MM

