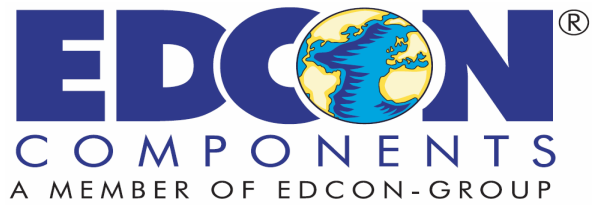
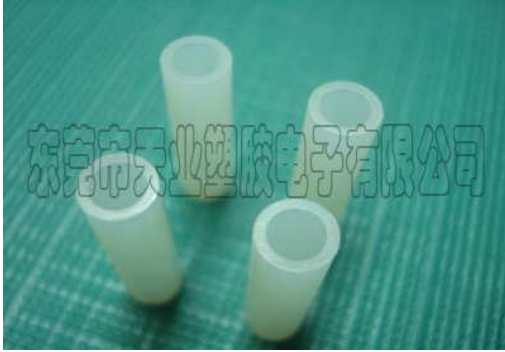


EDCON-COMPONENTS

ROUND SPACER AD=15,0MM / ID=10,0MM

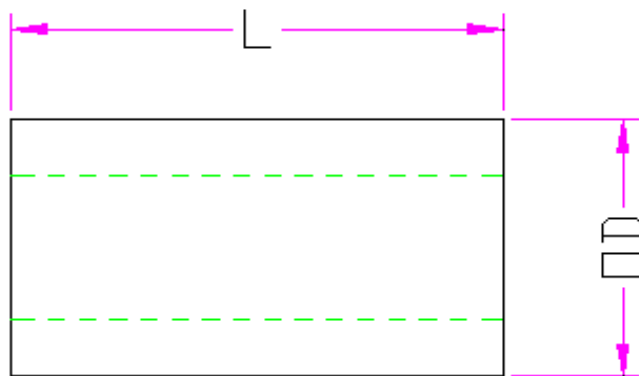
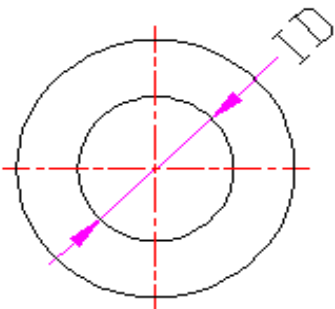


Material: Nylon 66 (UL94V-2)

Color: Natural



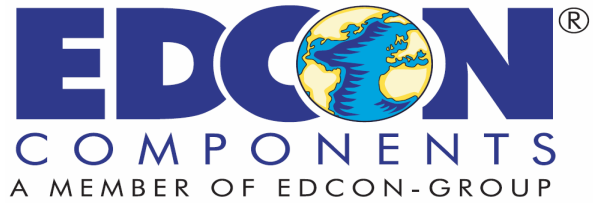
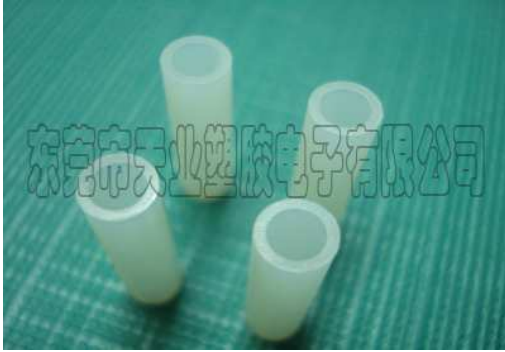
Dimension	OD	ID		
	15,0mm	10,0mm		



ROUND SPACER AD=15,0MM / ID=10,0MM

EDCON-COMPONENTS

ROUND SPACER AD=15,0MM / ID=10,0MM



Length/mm	Code Length
3,0	030
3,5	035
4,0	040
4,5	045
5,0	050
5,5	055
6,0	060
6,5	065
7,0	070
7,5	075
8,0	080
8,5	085
9,0	090
9,5	095
10,0	100
10,5	105
11,0	110
11,5	115
12,0	120

Length/mm	Code Length
12,5	125
13,0	130
13,5	135
14,0	140
14,5	145
15,0	150
15,5	155
16,0	160
16,5	165
17,0	170
17,5	175
18,0	180
18,5	185
19,0	190
19,5	195
20,0	200

Length/mm	Code Length



Serie	Code Length	Material	Color	Packing		
N16038	030	N	N	B		
	030=3,0mm	N=Nylon	N= Natural	B=Bulk		

ROUND SPACER AD=15,0MM / ID=10,0MM