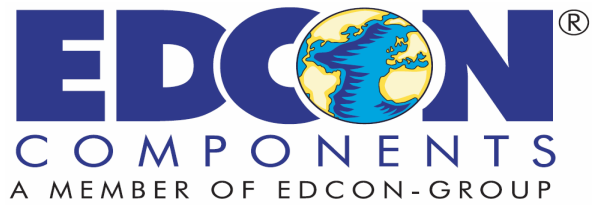


EDCON-COMPONENTS

ROUND SPACER AD=10,0MM / ID=5,9MM

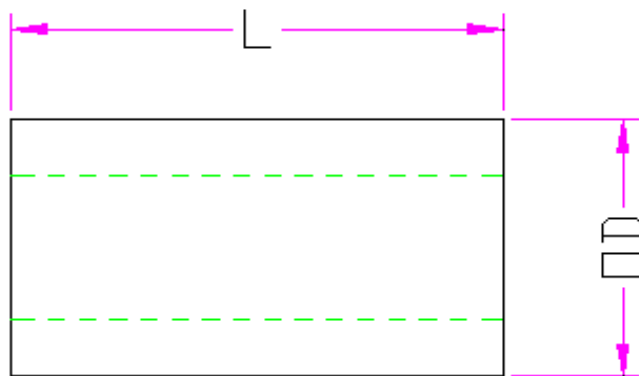
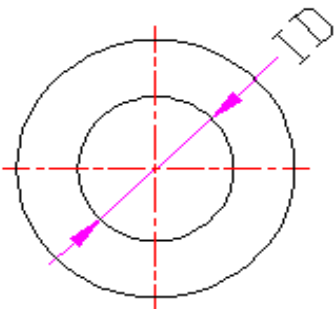


Material: Nylon 66 (UL94V-2)

Color: Natural



| Dimension | OD | ID | | |
|-----------|--------|-------|--|--|
| | 10,0mm | 5,9mm | | |



ROUND SPACER AD=10,0MM / ID=5,9MM

