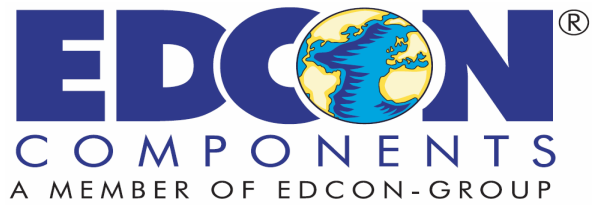


# EDCON-COMPONENTS

ROUND SPACER AD=6,3MM / ID=2,6MM

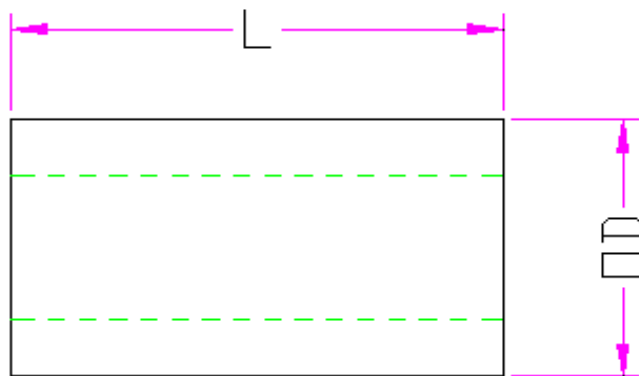
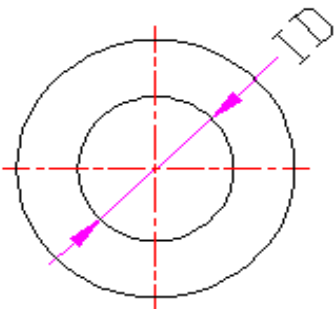


Material: Nylon 66 (UL94V-2)

Color: Natural



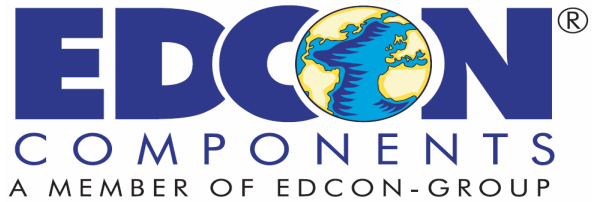
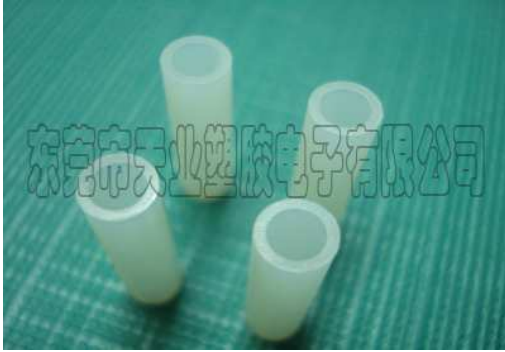
Dimension	OD	ID		
	6,3mm	2,6mm		



ROUND SPACER AD=6,3MM / ID=2,6MM

# EDCON-COMPONENTS

ROUND SPACER AD=6,3MM / ID=2,6MM



Length/mm	Code Length
3,0	030
3,5	035
4,0	040
4,5	045
5,0	050
5,5	055
6,0	060
6,5	065
7,0	070
7,5	075
8,0	080
8,5	085
9,0	090
9,5	095
10,0	100
10,5	105
11,0	110
11,5	115
12,0	120

Length/mm	Code Length
12,5	125
13,0	130
13,5	135
14,0	140
14,5	145
15,0	150
15,5	155
16,0	160
16,5	165
17,0	170
17,5	175
18,0	180
18,5	185
19,0	190
19,5	195
20,0	200
20,5	205
21,0	210
21,5	215

Length/mm	Code Length
22,0	220
22,5	225
23,0	230
23,5	235
24,0	240
24,5	245
25,0	250

← Ordering Informations →

Serie	Code Length	Material	Color	Packing		
<b>N16012</b>	<b>030</b>	<b>N</b>	<b>N</b>	<b>B</b>		
	030=3,0mm	N=Nylon	N= Natural	B=Bulk		

ROUND SPACER AD=6,3MM / ID=2,6MM