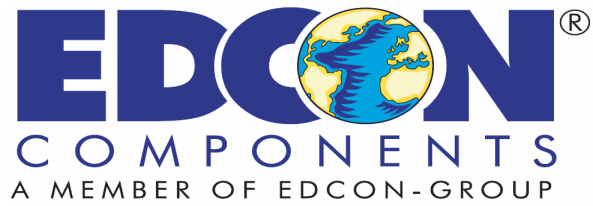


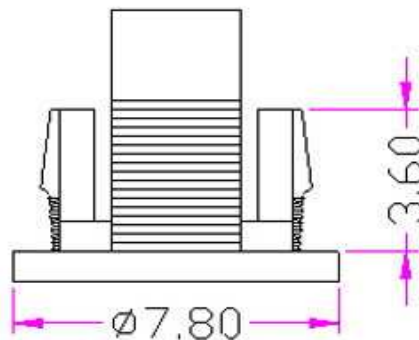
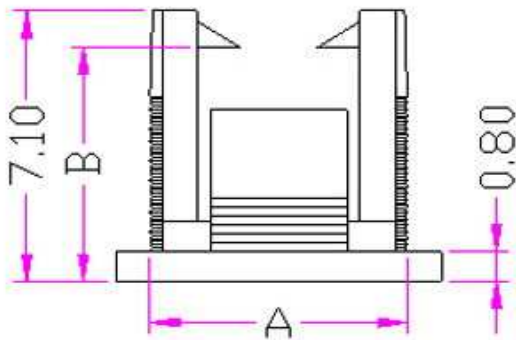
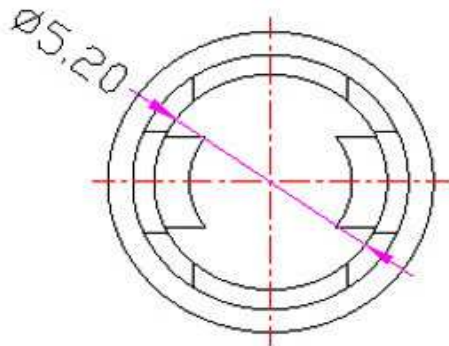
EDCON-COMPONENTS

LED SPACER BLACK



Material: PP

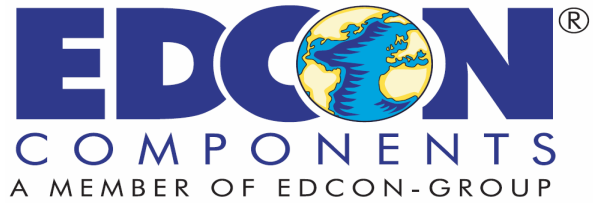
Color: Black



LED SPACER BLACK

EDCON-COMPONENTS

LED SPACER BLACK



| Code length | A | B | Panel Thickness | Mat. | (mm) |
|-------------|------|------|-----------------|----------|------|
| A | 6,30 | 5,70 | 0,8mm | PP | |
| B | 6,50 | 6,00 | 1,0 ~ 1,6mm | N66 (V2) | |
| | | | | | |
| | | | | | |
| | | | | | |
| | | | | | |
| | | | | | |
| | | | | | |

LED SPACER BLACK



| Serie | Code Length | Material | Color | Packing | | |
|--------|-------------|----------|-----------|---------|--|--|
| N13046 | A | N | BK | B | | |
| | A-B | N=Nylon | BK= Black | B=Bulk | | |