

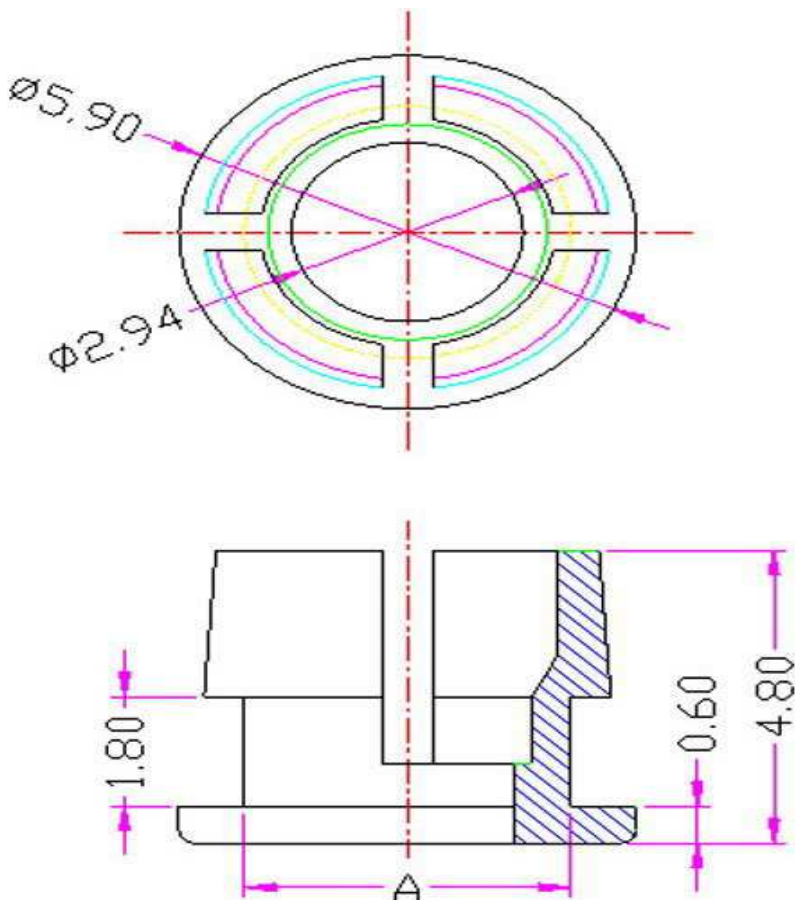
EDCON-COMPONENTS

LED SPACER BLACK



Material: PP

Color: Black



LED SPACER BLACK

EDCON-COMPONENTS

LED SPACER BLACK



Code length	A	Panel Thickness						(mm)
A	4,40	1,6 mm						

LED SPACER BLACK



Serie	Code Length	Material	Color	Packing		
N13045	A	N	BK	B		
	A	N=Nylon	BK= Black	B=Bulk		