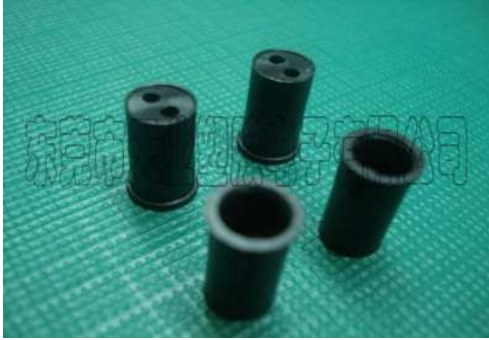


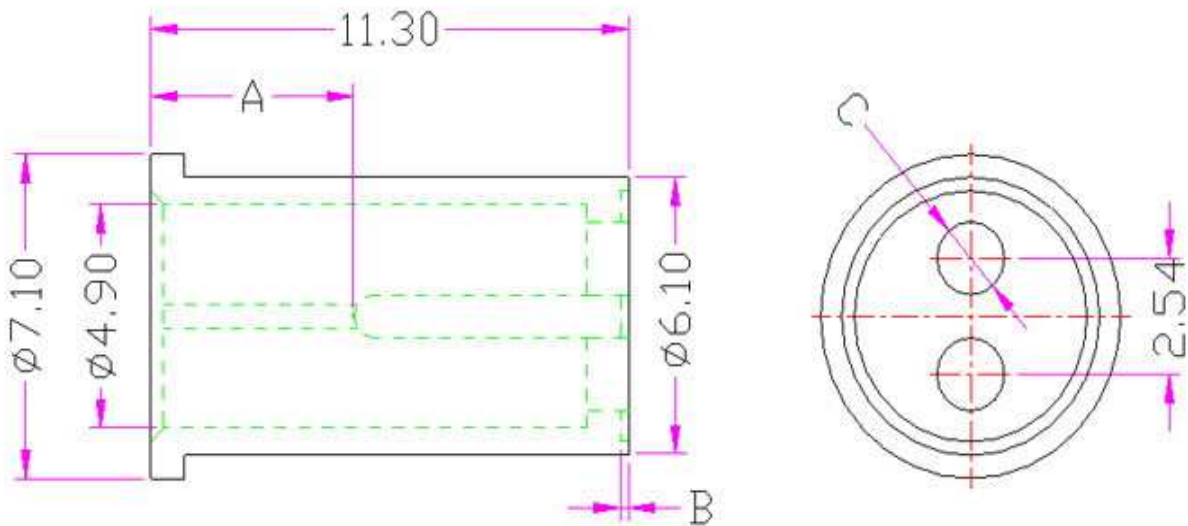
EDCON-COMPONENTS

LED SPACER BLACK



Material: Nylon 66 UL94V-2

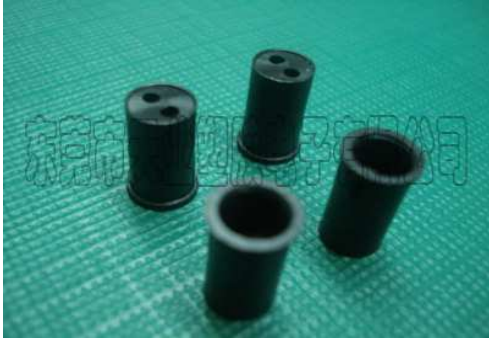
Color: Black



LED SPACER BLACK

EDCON-COMPONENTS

LED SPACER BLACK



Code length	A	B	C						(mm)
A	4,80	0,20	1,6						
B	4,40	0,20	1,6						
C	4,40	0,20	0,55						
D	4,80	0,20	1,6						
E	4,65	0,20	1,6						

LED SPACER BLACK



Serie	Code Length	Material	Color	Packing		
N13037	A	N	BK	B		
	A-E	N=Nylon	BK= Black	B=Bulk		