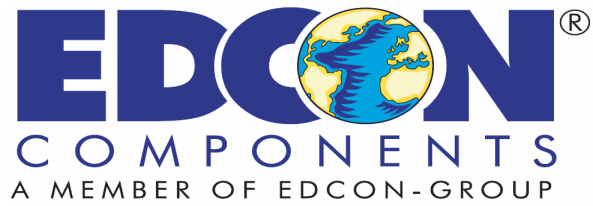


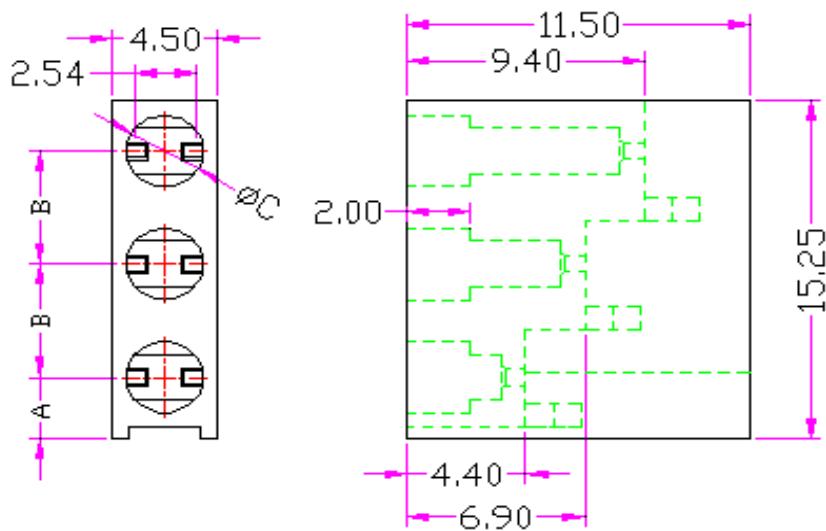
EDCON-COMPONENTS

LED SPACER BLACK



Material: Nylon 66 UL94V-2 / PBT+G6

Color: Black

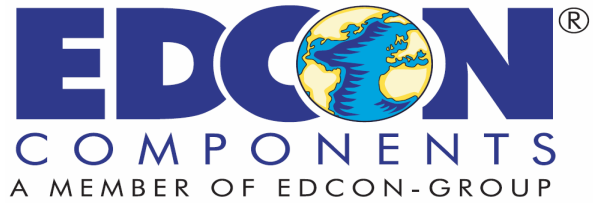


此产品与下盖HC-01组配使用

LED SPACER BLACK

EDCON-COMPONENTS

LED SPACER BLACK



Code length	A	B	C					(mm)
A	2,54	5,08	3,25					
B	2,54	5,08	3,20					

LED SPACER BLACK



Serie	Code Length	Material	Color	Packing		
N13024	A	N	N	B		
	A-B	N=Nylon	N= Natural	B=Bulk		