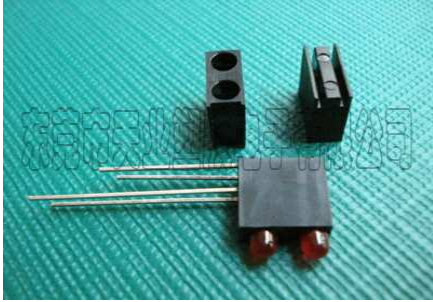


EDCON-COMPONENTS

LED SPACER BLACK

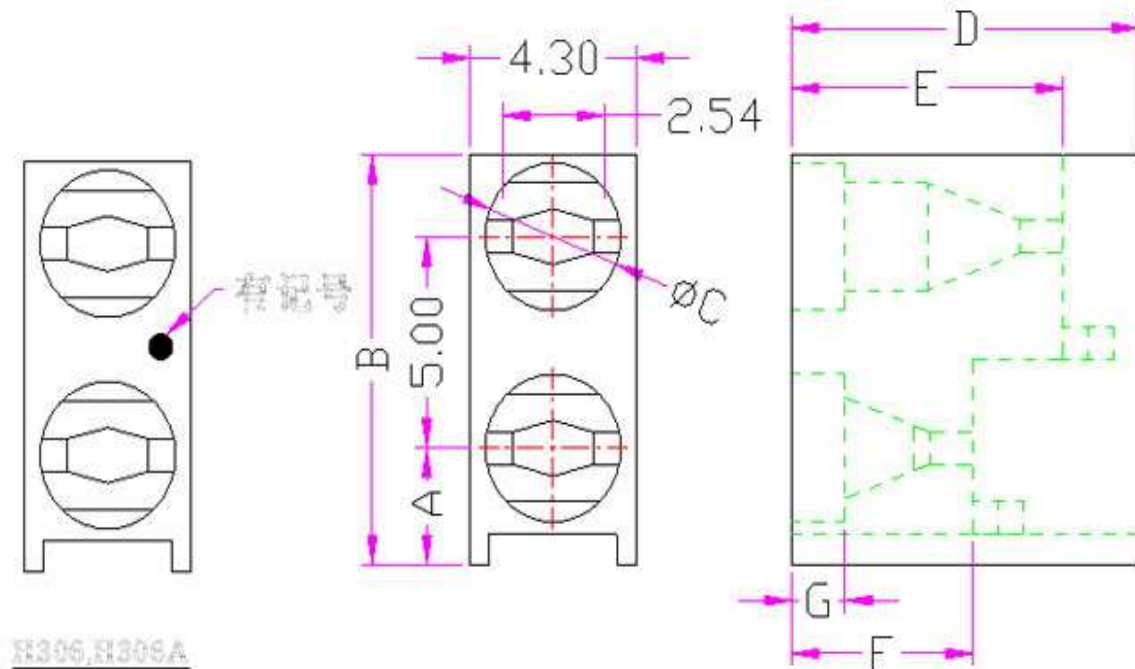


Material: Nylon 66 UL94V-2 / PBT+G6

Color: Black

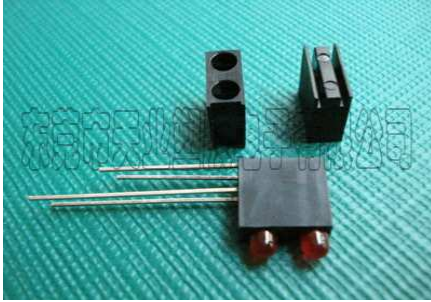


LED SPACER BLACK



EDCON-COMPONENTS

LED SPACER BLACK



Code length	A	B	C	D	E	F	G	(mm)
A	2,65	9,60	3,40	9,00	7,27	4,80	1,90	
B	2,65	9,60	3,40	9,00	7,27	4,80	1,40	
C	2,65	9,60	3,40	9,00	7,27	4,80	1,90	
D	2,65	9,60	3,20	8,20	6,70	4,20	180	
E	2,65	9,60	3,40	8,20	6,70	4,20	1,80	
F	2,54	9,65	3,20	10,55	9,14	6,60	1,60	
G	2,30	9,65	3,20	8,20	6,75	4,25	2,60	

LED SPACER BLACK



Serie	Code Length	Material	Color	Packing		
N13022	A	N	N	B		
	A-G	N=Nylon	N= Natural	B=Bulk		