

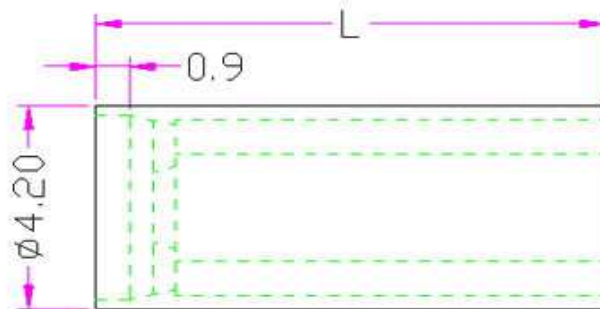
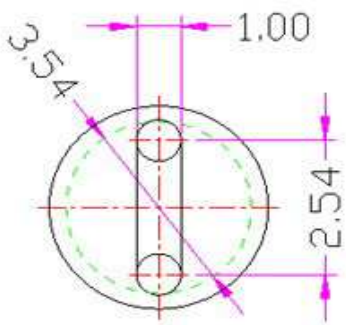
EDCON-COMPONENTS

LED SPACER D=4,2MM NATURAL INSIDE 3,0mm LED



Material: PC or Nylon 66 (UL94V-0)

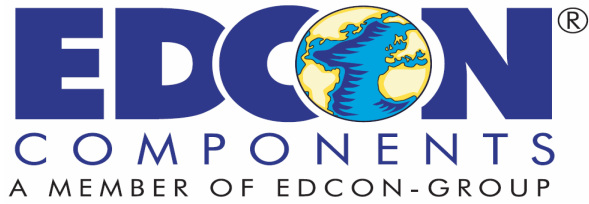
Color: Black



LED SPACER D=4,2MM NATURAL INSIDE 3,0mm LED

EDCON-COMPONENTS

LED SPACER D=4,2MM NATURAL INSIDE 3,0mm LED



Length/mm	Code Length
3,0	030
3,5	035
4,0	040
4,5	045
5,0	050
5,5	055
6,0	060
6,5	065
7,0	070
7,5	075
8,0	080
8,5	085
9,0	090
9,5	095
10,0	100
10,5	105
11,0	110
11,5	115
12,0	120
12,5	125
13,0	130
13,5	135
14,0	140
14,5	145
15,0	150
15,5	155
16,0	160

Length/mm	Code Length
16,5	165
17,0	170
17,5	175
18,0	180
18,5	185
19,0	190
19,5	195
20,0	200
20,5	205
21,0	210
21,5	215
22,0	220
22,5	225
23,0	230
23,5	235
24,0	240
24,5	245
25,0	250

Length/mm	Code Length



Serie	Code Length	Material	Color	Packing		
N13008	030	N	N	B		
	030=3,0mm	N=Nylon	N= Natural	B=Bulk		

LED SPACER D=4,2MM NATURAL INSIDE 3,0mm LED