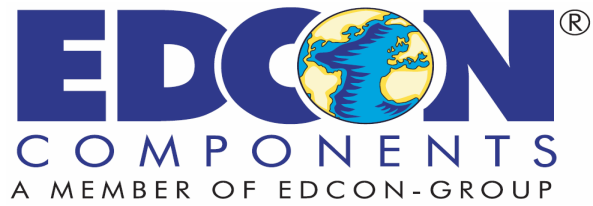


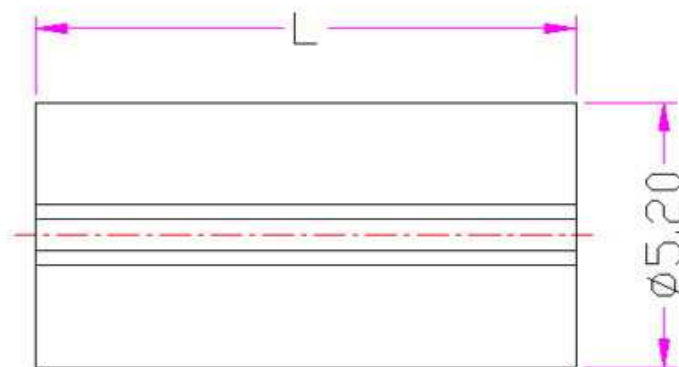
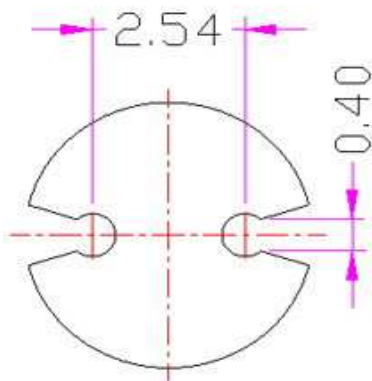
# EDCON-COMPONENTS

## LED SPACER D=5,2MM BLACK



Material: PC or Nylon 66 (UL94V-0)

Color: Black



LED SPACER D=5,2MM BLACK

