

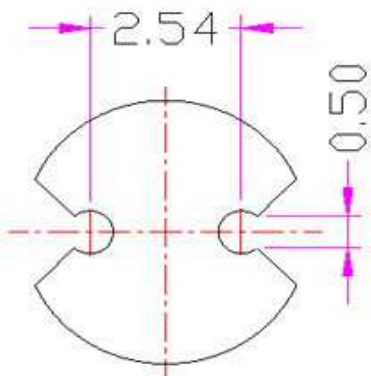
EDCON-COMPONENTS

LED SPACER D=4,0MM BLACK



Material: PC or Nylon 66 (UL94V-0)

Color: Black



LED SPACER D=4,0MM BLACK

