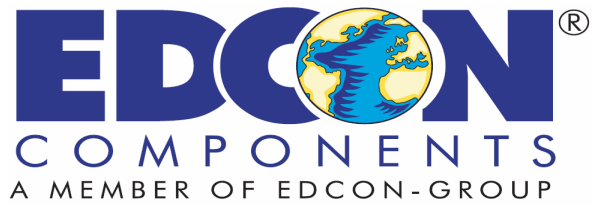


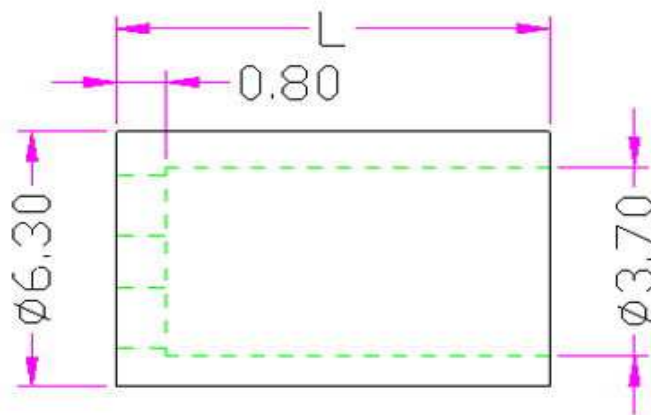
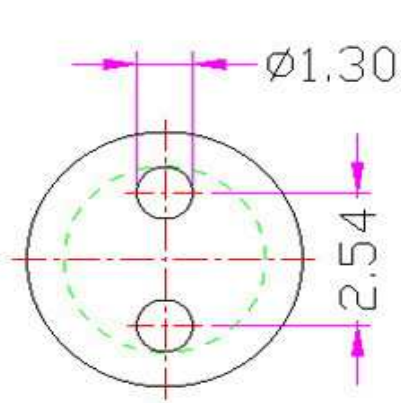
# EDCON-COMPONENTS

## LED SPACER D=6,3MM



Material: PC or Nylon 66 (UL94V-0)

Color: Natural



LED SPACER D=6,3MM

