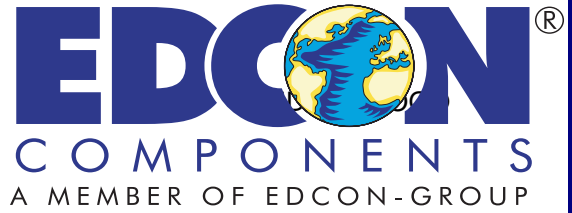


# EDCON-COMPONENTS

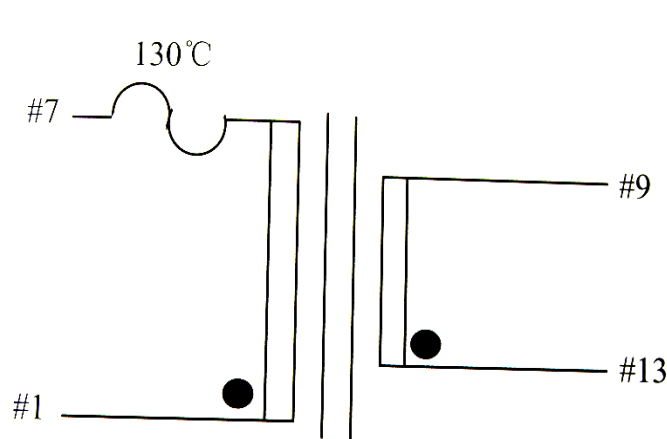
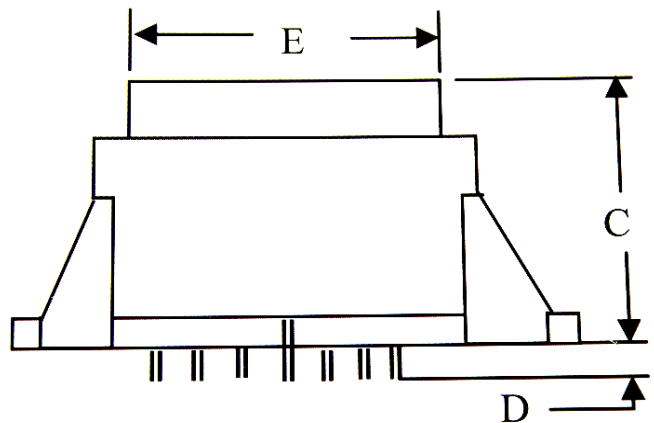
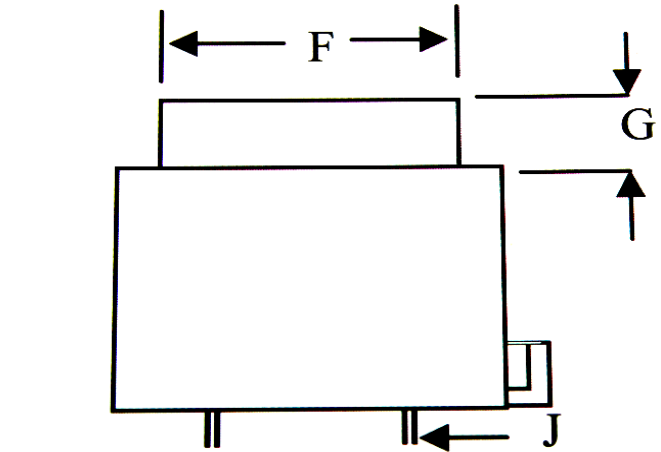
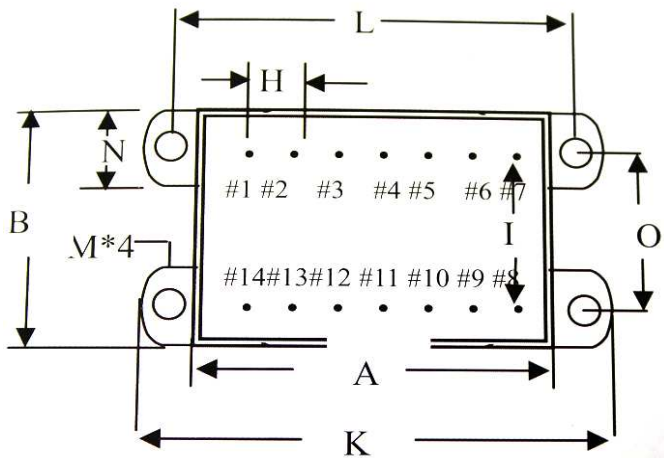
## 30VA Standard PCB Encapsulated -Transformer



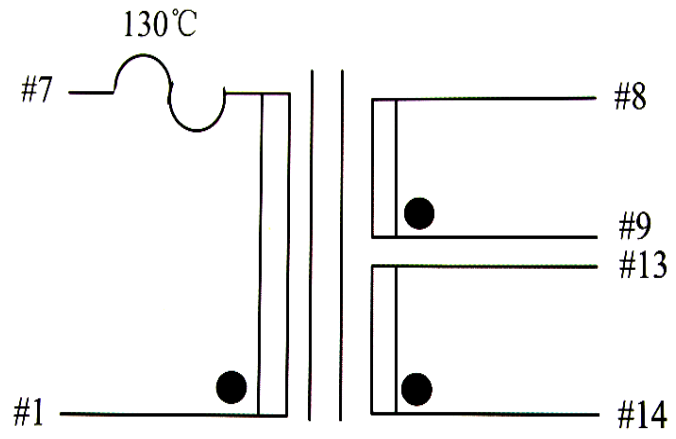
### Technical specifications

- Power from 0,6VA to 36VA
- Dielectric Strength - 3750 Vrms
- High ambient operation temperature (+75°C)
- Primary ( 115V 60HZ / 230V/50Hz )
- Secondary Single or Dual Output
- Insulation Class - Class B ( 130°C )
- Safety Approvals VDE / CE

### Technical drawing



Single Output

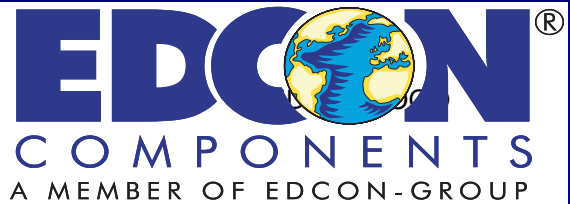


Dual Output

Standard PCB Encapsulated Transformer

# EDCON-COMPONENTS

## 30VA Standard PCB Encapsulated -Transformer



### Technical dimensions

Serie	Dimensions (mm)						
	A	B	C	D	E	F	G
<b>30 (VA)</b>	67,0	56,0	46,5	4,0	0,8	5,0	32,5
Toler. (mm)	Max.	Max.	Max.	.+/-1,0	.+/-0,1	.+/-0,2	.+/-0,5
	H	I	J	K	L		
	4,2	82,5	72,5	11,2	43,5		
Toler. (mm)	.+/-0,2	Max.	.+/-0,5	.+/-0,5	.+/-0,5		

### Ordering Informations

Serie	Core	Output Layer	Output Voltage	Mounting Ear
<b>V11054</b>	<b>60</b>	<b>D</b>	<b>060</b>	<b>M</b>

<b>D=</b> Single Output for 230VAC	<b>060</b> = 6V <b>072</b> = 7,2V <b>090</b> = 9V <b>100</b> = 10V <b>120</b> = 12V <b>150</b> = 15V <b>180</b> = 18V <b>240</b> = 24V	Empty W/O Mounting ear
<b>DS=</b> Single Output for 115VAC		<b>M=</b> with Mounting ears

2x6V = 2x2750mA  
 2x7,2V = 2083mA  
 2x9V = 2x1666mA  
 2x10V = 2x1500mA  
 2x12V = 2x1250mA  
 2x15V = 2x1000mA  
 2x18V = 2x833mA  
 2x24V = 2x625mA

Standard PCB Encapsulated Transformer