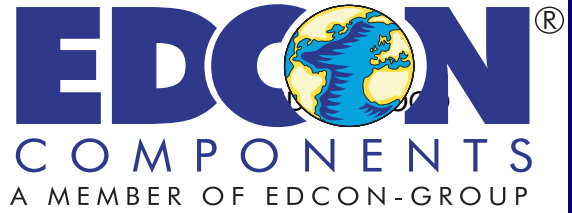


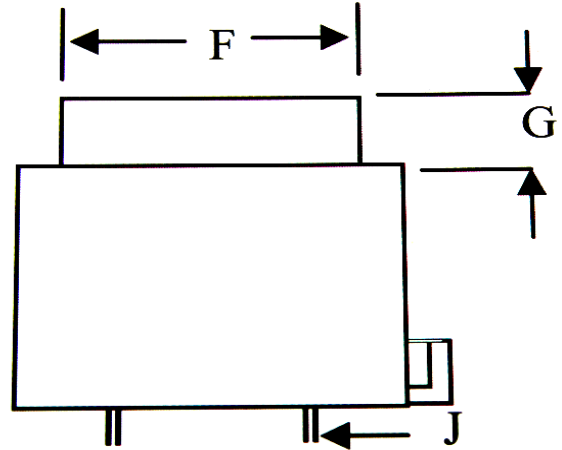
EDCON-COMPONENTS

22VA Standard PCB Encapsulated -Transformer

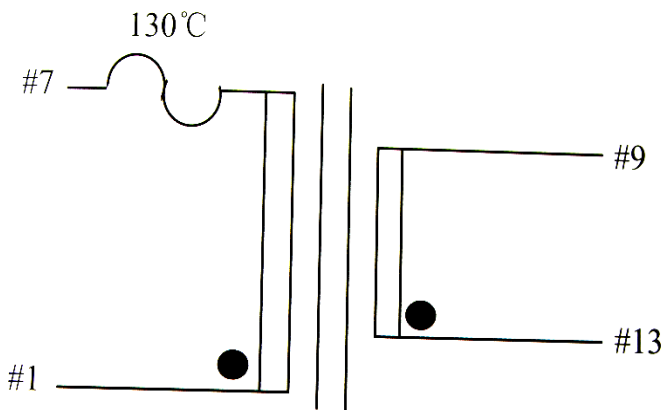
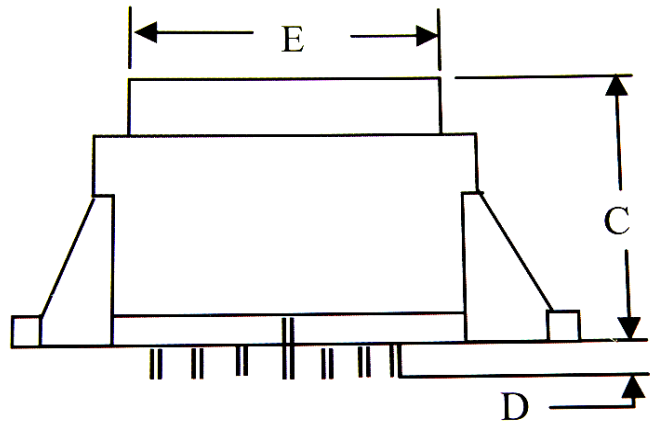
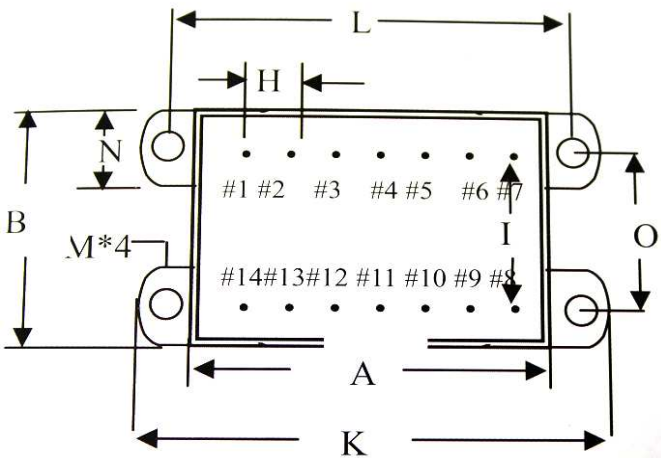


Technical specifications

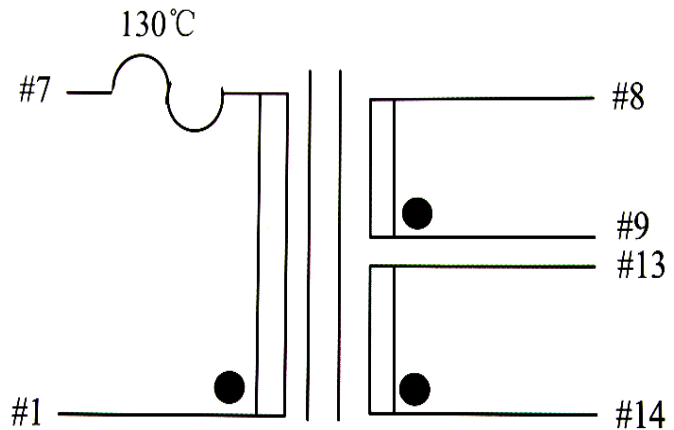
Power from 0,6VA to 36VA
 Dielectric Strength - 3750 Vrms
 High ambient operation temperature (+75°C)
 Primary (115V 60HZ / 230V/50Hz)
 Secondary Single or Dual Output
 Insulation Class - Class B (130°C)
 Safety Approvals VDE / CE



Technical drawing



Single Output

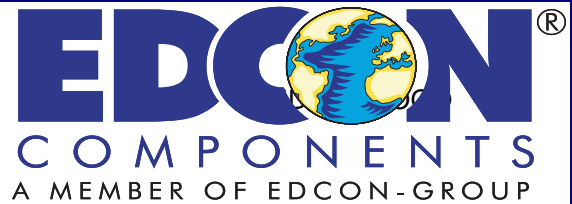


Dual Output

Standard PCB Encapsulated Transformer

EDCON-COMPONENTS

22VA Standard PCB Encapsulated -Transformer



Technical dimensions

Serie	Dimensions (mm)						
	A	B	C	D	E	F	G
22 (VA)	67,0	56,0	46,5	4,0	0,8	5,0	32,5
Toler. (mm)	Max.	Max.	Max.	.+/-1,0	.+/-0,1	.+/-0,2	.+/-0,5
	H	I	J	K	L		
	4,2	82,5	72,5	11,2	43,5		
Toler. (mm)	.+/-0,2	Max.	.+/-0,5	.+/-0,5	.+/-0,5		

Ordering Informations

Serie	Core	Output Layer	Output Voltage	Mounting Ear
V11052	60	D	060	M

D= Single Output for 230VAC	060 = 6V 072 = 7,2V 090 = 9V 100 = 10V 120 = 12V 150 = 15V 180 = 18V 240 = 24V	Empty W/O Mounting ear
DS= Single Output for 115VAC		M= with Mounting ears

2x6V = 2x1833mA
 2x7,2V = 2x1527mA
 2x9V = 2x1222mA
 2x10V = 2x1100mA
 2x12V = 2x916mA
 2x15V = 2x733mA
 2x18V = 2x611mA
 2x24V = 458mA

Standard PCB Encapsulated Transformer