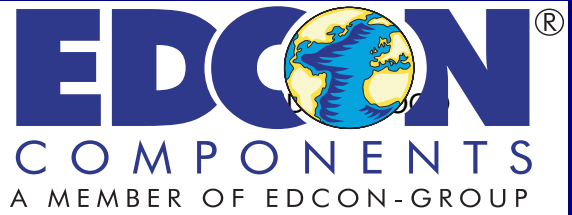


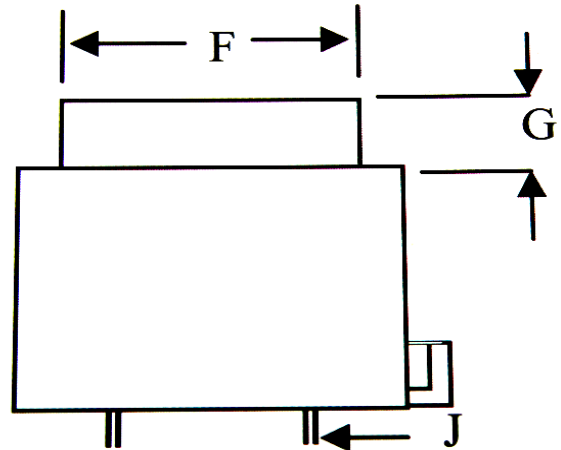
# EDCON-COMPONENTS

## 30VA Standard PCB Encapsulated -Transformer

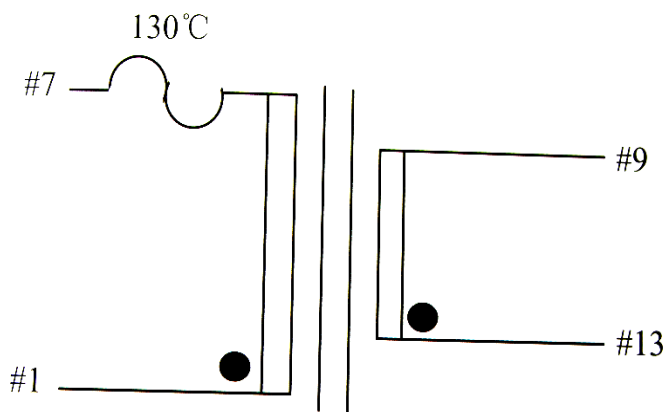
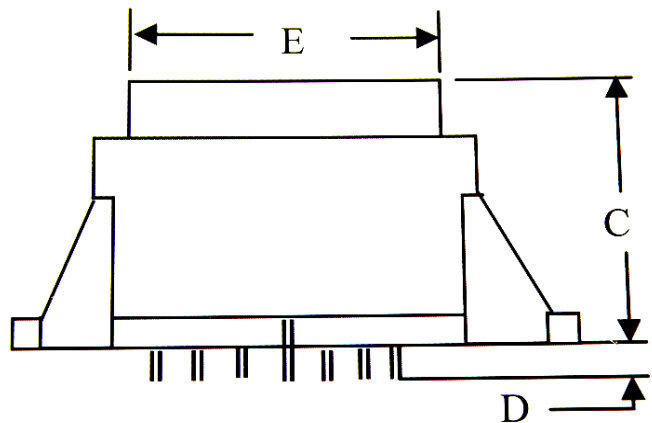
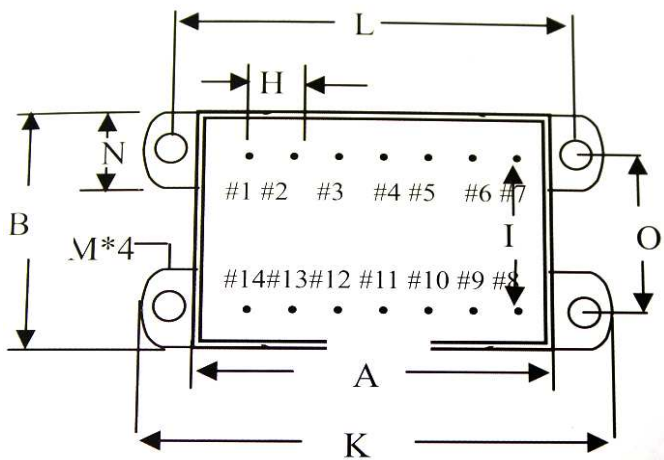


### Technical specifications

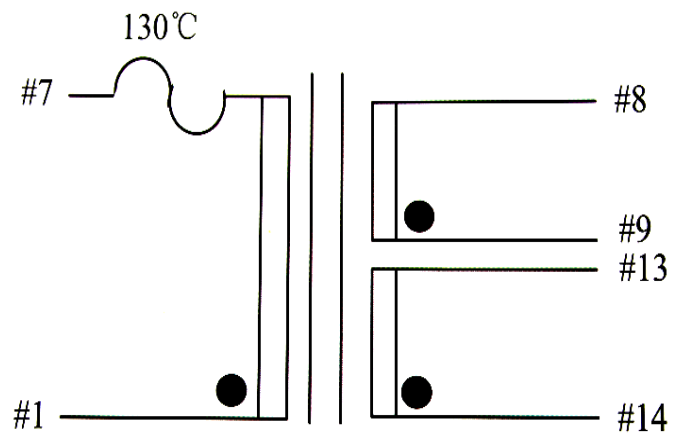
Power from 0,6VA to 36VA  
 Dielectric Strength - 3750 Vrms  
 High ambient operation temperature (+75°C)  
 Primary ( 115V 60HZ / 230V/50Hz )  
 Secondary Single or Dual Output  
 Insulation Class - Class B ( 130°C )  
 Safety Approvals VDE / CE



### Technical drawing



Single Output

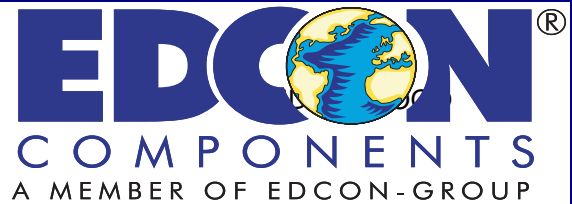


Dual Output

Standard PCB Encapsulated Transformer

# EDCON-COMPONENTS

## 30VA Standard PCB Encapsulated -Transformer



### Technical dimensions

Serie	Dimensions (mm)						
	A	B	C	D	E	F	G
<b>30 (VA)</b>	67,0	56,0	46,5	4,0	0,8	5,0	32,5
Toler. (mm)	Max.	Max.	Max.	./-1,0	./-0,1	./-0,2	./-0,5
	H	I	J	K	L		
	4,2	82,5	72,5	11,2	43,5		
Toler. (mm)	./-0,2	Max.	./-0,5	./-0,5	./-0,5		

### Ordering Informations

Serie	Core	Output Layer	Output Voltage	Mounting Ear
V11026	60	S	060	M

<b>S=</b> Single Output for 230VAC <b>US=</b> Single Output for 115VAC	<b>060</b> = 6V <b>072</b> = 7,2V <b>090</b> = 9V <b>100</b> = 10V <b>120</b> = 12V <b>150</b> = 15V <b>180</b> = 18V <b>240</b> = 24V	Empty W/O Mounting ear  <b>M=</b> with Mounting ears
---	---	--

6V = 5000mA
7,2V = 4166mA
9V = 3333mA
10V = 3000mA
12V = 2500mA
15V = 2000mA
18V = 1666mA
24V = 1250mA

Standard PCB Encapsulated Transformer