



Specifications

<i>Electrical</i>		
Impedance		75 Ω
Frequency Range		0 - 2 GHz
Working Voltage		250 VRMS max.
Dielectric Withstanding Voltage		500 VRMS min.
VSWR	Straight	1.35 max.
Contact Resistance	Center Contact	5 mΩ max.
	Outer Contact	2 mΩ max.
Insulator Resistance		1000 MΩ min.

<i>Material</i>		
Parts Name	Material	Finish
Body, Metal Parts	Brass per QQ-B-626	Nickel 70 micro-inches
Center Contacts	Male: Brass per QQ-B-626 Female: Phosphor Bronze per QQ-C-750	Gold 3 micro-inches Gold 3 micro-inches
Insulators	Teflon, Delrin	None
Crimp Ferrules	Annealed Brass	Nickel 70 micro-inches
Clamp Gaskets	Silicone rubber	None

**Cable, Crimp
G**

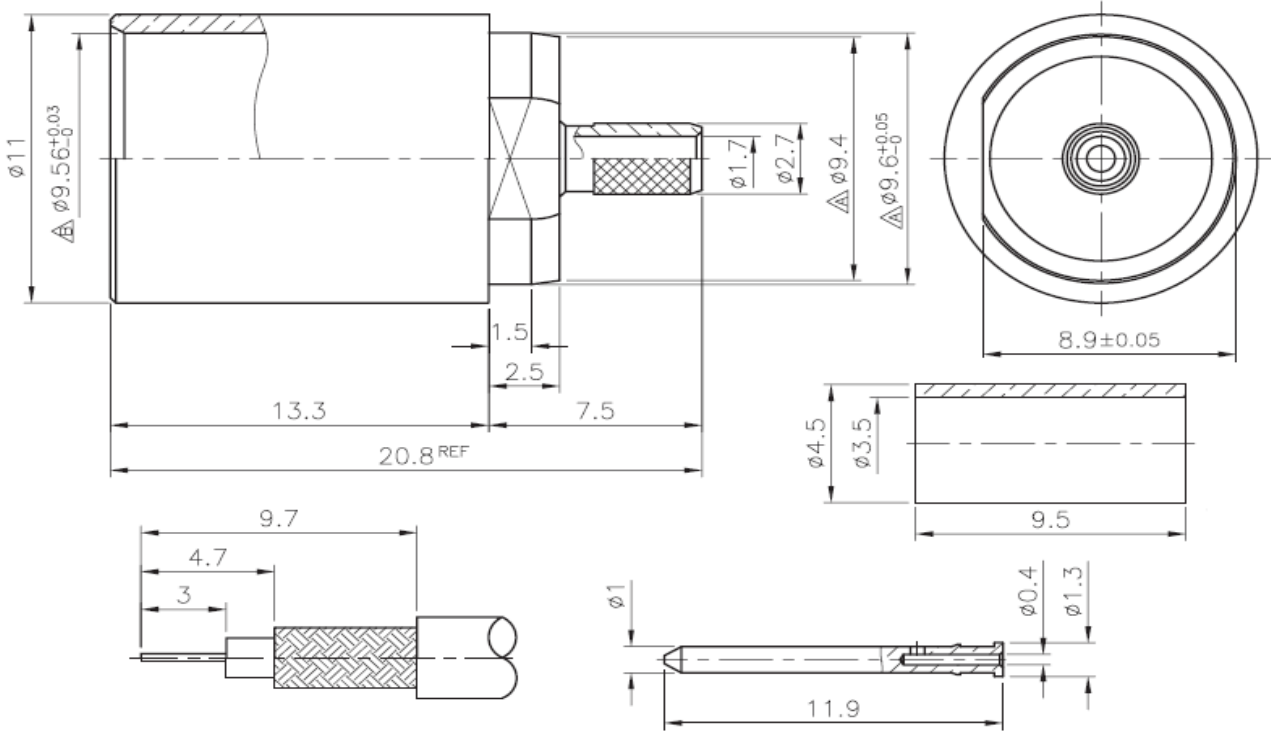
Part No.: **T55Y1002**

Customer:

DRW:	Dong	CHKD	Chang		MATL:	Chui	DATE	29.04.2010
APPD:	Ping				FINISH	Hui	Sheet	1 from 2



Technical Drawing



Odering Information

Serie	-	Cable Group	Impedance	No Function	RoHS	Packing
T55Y1002	-	G8	75	XX	R	BU
EDCON-Serie	-	G8 = RG-179/U	75 = 75 Ω	XX	N = no RoHS conform R = RoHS conform	BU = Bulk Ware IV = Individual Packing

Cable, Crimp G	
Part No.:	T55Y1002
Customer:	

DRW:	Dong	CHKD	Chang	MATL:	Chui	DATE	29.04.2010
APPD:	Ping			FINISH	Hui	Sheet	2 from 2