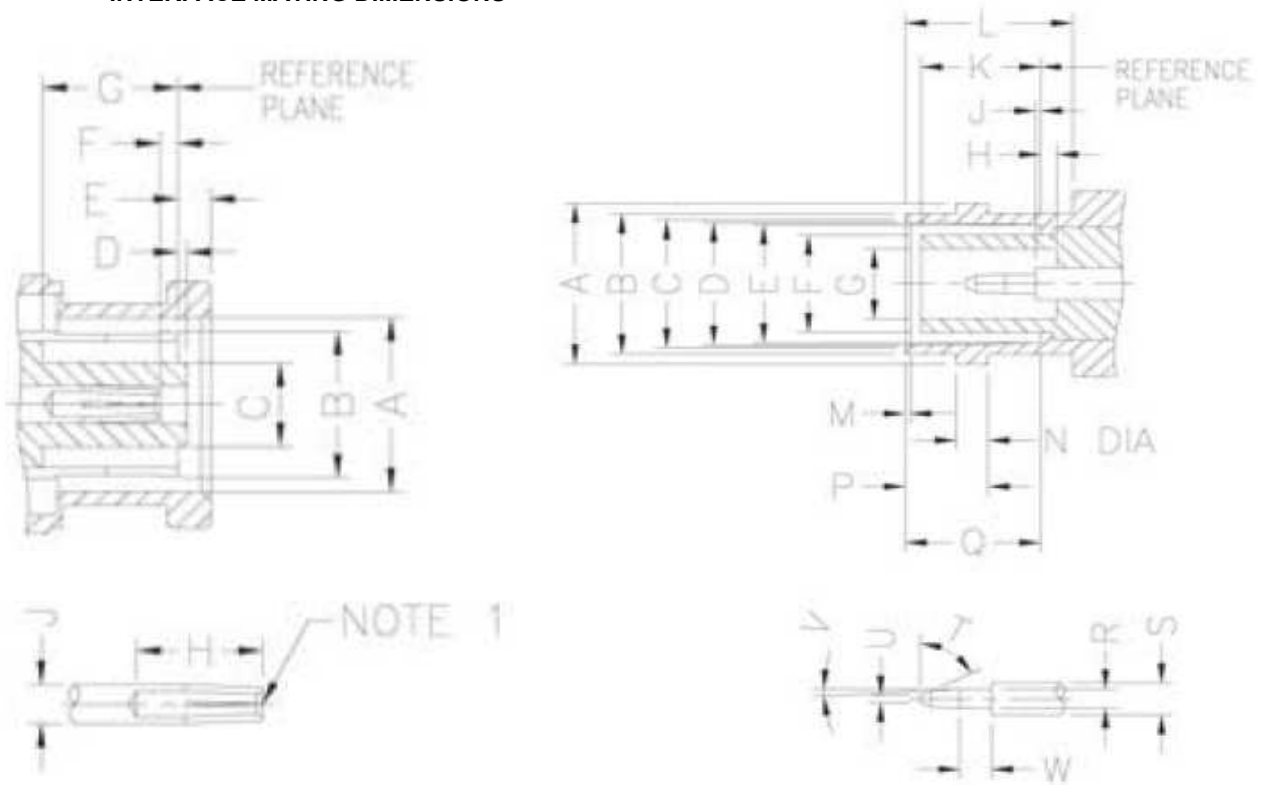




**General**

**INTERFACE MATING DIMENSIONS**



Plug		
Letter	mm	
	min.	max.
A	9.78	9.91
B	Fleard to meet Good Electrical Contact	
C	---	4.72
D	0.03	0.53
E	---	1.98
F	0.61	1.12
G	7.52	---
H	4.95	---
J	2.06	2.21

Jack					
Letter	mm		Letter	mm	
	min.	max.		min.	max.
A	10.97	11.07	M	0.38	0.76
B	9.60	9.70	N	1.91	2.06
C	8.79	9.04	P	5.18	5.28
D	8.31	8.46	Q	8.31	8.51
E	8.10	8.15	R	1.32	1.37
F	---	6.65	S	2.06	2.21
G	4.83	---	T	55°	65°
H	0.53	1.04	U	---	0.64
J	0.00	0.25	V	1.00	4.00
K	---	7.52	W	1.98	---
L	10.52	---	---	---	---

**Note:** I.D. to meet VSWR and Contact Resistance when mated with 0.90/0.94 mm dia. pin.

<b>Cable, Crimp BNC Reverse Polarity</b>	
Part No.:	<b>T55V1009</b>
Customer:	

DRW:	Dong	CHKD	Chang	MATL:	Chui	DATE	04.12.2009
APPD:	Ping			FINISH	Hui	Sheet	1 from 3



**Specifications**

<i>Electrical</i>		
Impedance		50 Ω
Frequency Range		0 - 4 GHz
Working Voltage		500 VRMS max.
Dielectric Withstanding Voltage		1500 VRMS min.
VSWR	Straight	1.3 max.
	Right Angle	1.5 max.
Contact Resistance	Center Contact	3 mΩ max.
	Outer Contact	2 mΩ max.
Insulator Resistance		1000 MΩ min.

<i>Material</i>		
Parts Name	Material	Finish
Body, Metal Parts	Brass per QQ-B-626	Nickel 70 micro-inches
Center Contacts	Male: Brass per QQ-B-626 Female: Phosphor Bronze per QQ-C-750	Gold 3 micro-inches Gold 3 micro-inches
Insulators	Teflon, Delrin	None
Crimp Ferrules	Annealed Brass	Nickel 70 micro-inches
Clamp Gaskets	Silicone rubber	None

<i>Mechanical &amp; Environmental</i>	
Engagement Force	2.5 in-lbs. max. torque
Disengagement Force	3 in-lbs. max. axial force
Coupling Nut Retention	100 lbs. min.
Contact Retention	6 lbs. min.
Durability (Mating)	500 cycles
Temperature Range	-65°C ~ 165°C
Vibration	MIL-STD-202 Method 204 Test Cond. B
Salt Spray	MIL-STD-202 Method 101 Test Cond. B
Thermal Shock	MIL-STD-202 Method 107 Test Cond. B

**Cable, Crimp  
 BNC Reverse Polarity**

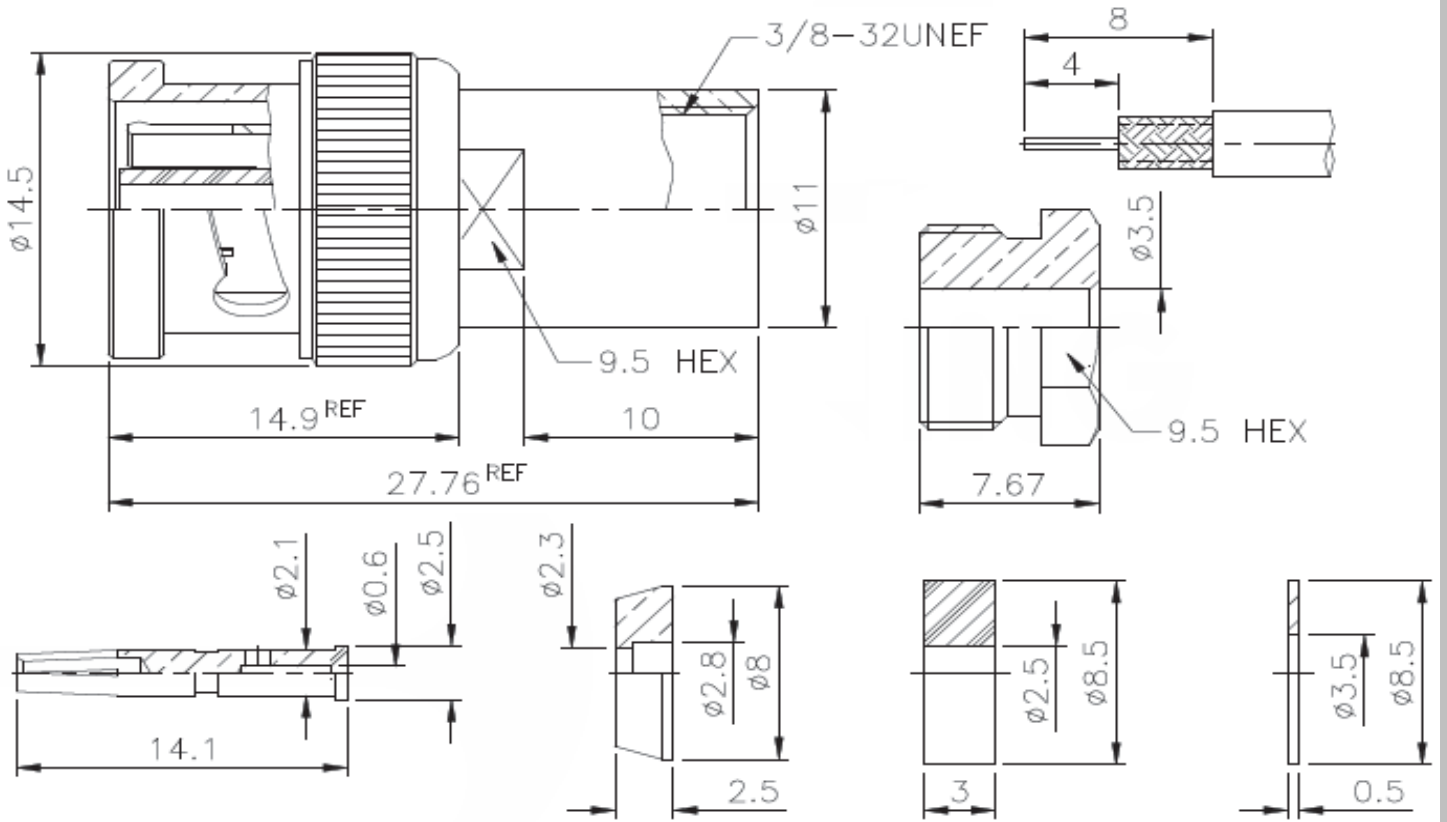
Part No.: **T55V1009**

Customer:

DRW:	Dong	CHKD	Chang	MATL:	Chui	DATE	04.12.2009
APPD:	Ping			FINISH	Hui	Sheet	2 from 3



**Technical Drawing**



**Ordering Information**

Serie	-	Cable Group	Impedance	No Function	RoHS	Packing
T55V1009	-	A9	50	XX	R	BU
EDCON-Serie	-	A9 = RG-174/U, 188A/U, 316/U, LMR-100	50 = 50 $\Omega$	XX	N = no RoHS conform  R = RoHS conform	BU = Bulk Ware  IV = Individual Packing

**Cable, Crimp**  
**BNC Reverse Polarity**

Part No.: **T55V1009**

Customer:

DRW:	Dong	CHKD	Chang	MATL:	Chui	DATE	04.12.2009
APPD:	Ping			FINISH	Hui	Sheet	3 from 3