



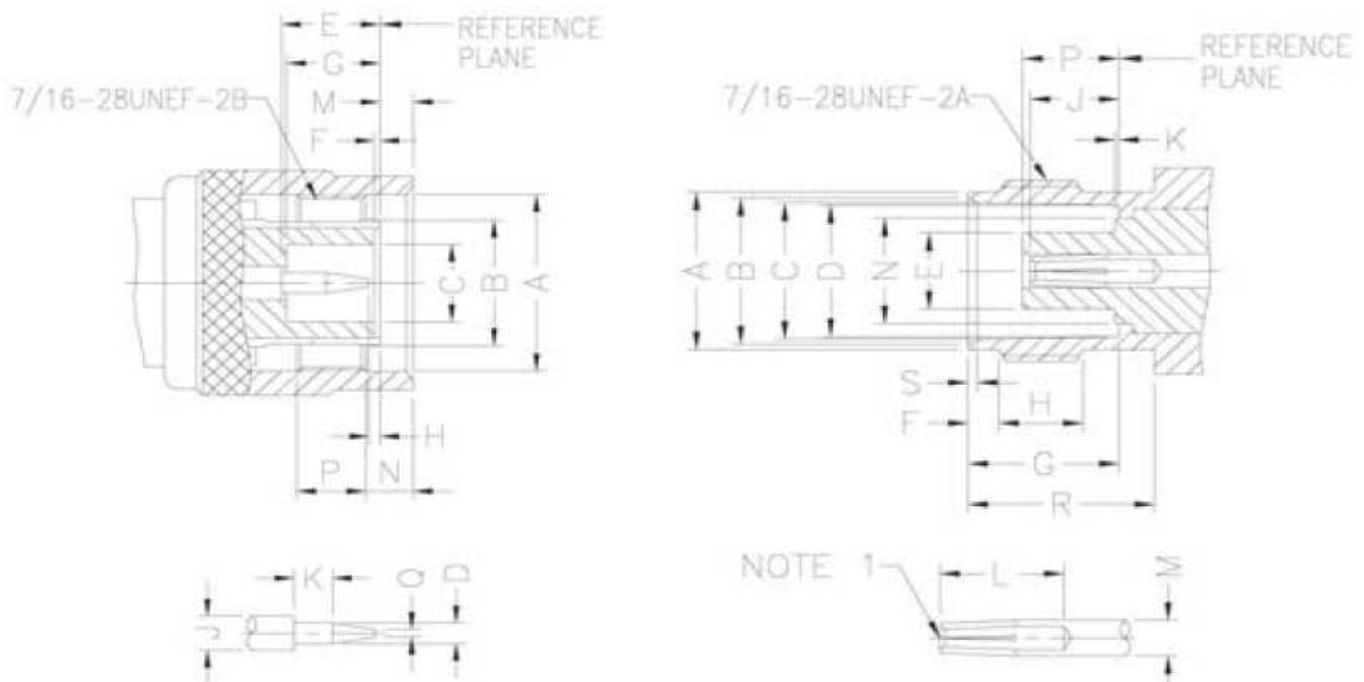
General

TNC connectors are designed with a Highly reliable threaded coupling to ensure additional protection against shocks and vibrations.

They are dimensionally and electrically similar to the BNC series, and are especially suitable for use in vibration exposed equipment such as commercial and military radio telecommunication systems, as well as avionic equipment which a highly durable coupling is needed.

TNC series is also widely use in medical equipment, computer and test instrumentation.

INTERFACE MATING DIMENSIONS



| Plug | | | | | |
|--------|--|------|--------|------|------|
| Letter | mm | | Letter | mm | |
| | min. | max. | | min. | max. |
| A | 11.18 | --- | G | 5.28 | 5.79 |
| B | Fleard to meet Good Electrical Contact | | H | 0.08 | 1.02 |
| | | | J | 2.06 | 2.21 |
| | | | K | 1.98 | --- |
| | | M | --- | 1.98 | |
| C | 4.83 | --- | N | 1.60 | --- |
| D | 1.32 | 1.37 | P | 3.96 | --- |
| E | 5.33 | 5.84 | Q | --- | 0.64 |
| F | 0.15 | 0.46 | --- | --- | --- |

| Jack | | | | | |
|--------|-------|-------|--------|-------|------|
| Letter | mm | | Letter | mm | |
| | min. | max. | | min. | max. |
| A | 10.97 | 11.07 | J | 4.72 | 5.23 |
| B | 9.60 | 9.70 | K | --- | 0.15 |
| C | 8.31 | 8.46 | L | 4.95 | --- |
| D | 8.10 | 8.15 | M | 2.06 | 2.21 |
| E | --- | 4.72 | N | 8.79 | 9.04 |
| F | 5.18 | 5.28 | P | --- | 6.50 |
| G | 8.31 | 8.51 | R | 0.38 | 0.76 |
| H | 1.91 | 2.06 | S | 10.52 | --- |
| I | 4.78 | 5.28 | --- | --- | --- |

Note: I.D. to meet VSWR and contact resistance when mated with 1.32 / 1.37 mm Dia. Pin.

| | |
|--------------------------|-----------------|
| PCB Mount TNC | |
| Part No.: | T55T1073 |
| Customer: | |

| | | | | | | | |
|-------|------|------|-------|--------|------|-------|------------|
| DRW: | Dong | CHKD | Chang | MATL: | Chui | DATE | 01.09.2010 |
| APPD: | Ping | | | FINISH | Hui | Sheet | 1 from 3 |



Specifications

| Electrical | | | |
|---------------------------------|----------------|----------------|----------|
| Impedance | 50 Ω | 75 Ω | |
| Frequency Range | 0 - 10 GHz | 0 - 1 GHz | |
| Working Voltage | 500 VRMS max. | 500 VRMS max. | |
| Dielectric Withstanding Voltage | 1500 VRMS min. | 1500 VRMS min. | |
| VSWR | Straight | 1.3 max. | 1.3 max. |
| | Right Angle | 1.5 max. | 1.5 max. |
| Contact Resistance | Center Contact | 3 mΩ | 3 mΩ |
| | Outer Contact | 2 mΩ | 2 mΩ |
| Insulator Resistance | 5000 MΩ min. | 5000 MΩ min. | |

| Material | | |
|-------------------|-------------------------------------|------------------------|
| Parts Name | Material | Finish |
| Body, Metal Parts | Brass per QQ-B-626 | Nickel 70 micro-inches |
| Center Contacts | Male: Brass per QQ-B-626 | Gold 3 micro-inches |
| | Female: Phospor Bronze per QQ-C-750 | Gold 3 micro-inches |
| Insulators | Teflon, Delrin | None |
| Crimp Ferrules | Annealed Brass | Nickel 70 micro-inches |
| Clamp Gaskets | Silicone rubber | None |

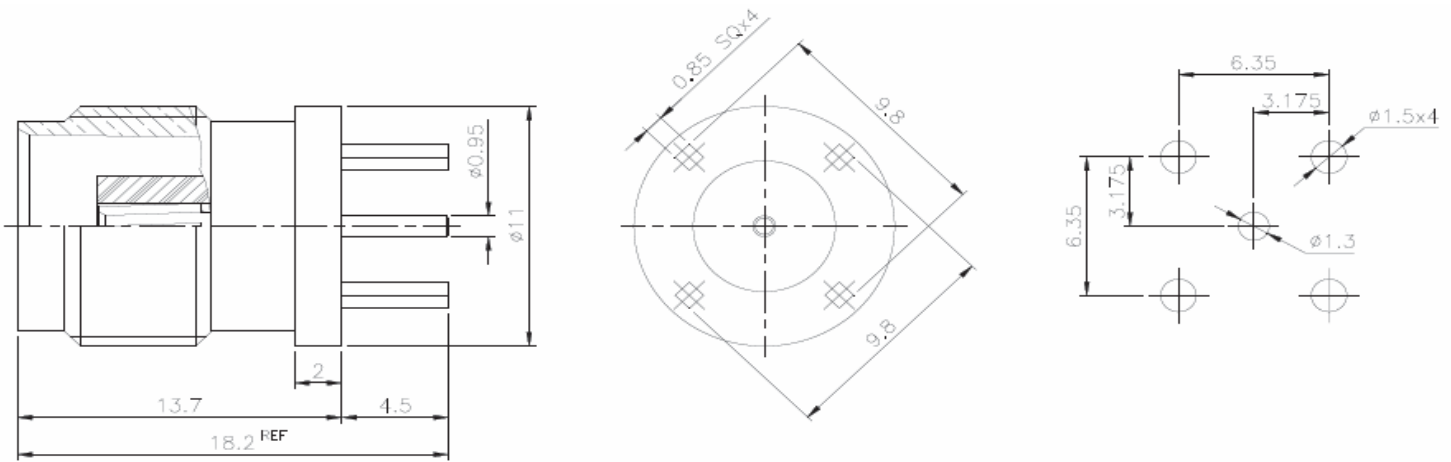
| Mechanical & Environmental | |
|---------------------------------------|-------------------------------------|
| Engagement Force | 2 in-lbs. max. |
| Disengagement Force | 2 in-lbs. max. |
| Coupling Nut Retention | 100 lbs. min. |
| Coupling Proof Torque | 15 in-lbs. min. |
| Contact Retention | 6 lbs. min. |
| Durability (Mating) | 500 cycles |
| Temperature Range | -65°C ~ 165°C |
| Vibration | MIL-STD-202 Method 204 Test Cond. B |
| Salt Spray | MIL-STD-202 Method 101 Test Cond. B |
| Thermal Shock | MIL-STD-202 Method 107 Test Cond. B |

| | |
|--------------------------|-----------------|
| PCB Mount TNC | |
| Part No.: | T55T1073 |
| Customer: | |

| | | | | | | | |
|-------|------|------|-------|--------|------|-------|------------|
| DRW: | Dong | CHKD | Chang | MATL: | Chui | DATE | 01.09.2010 |
| APPD: | Ping | | | FINISH | Hui | Sheet | 2 from 3 |



Technical Drawing



Odering Information

| Serie | - | Cable Group | Impedance | No | Function | RoHS | Packing |
|-----------------|---|------------------------------|------------------------|-----------|----------------------------------|-----------------------------|--------------------------------------|
| T55T1073 | - | G5 | 50 | XX | R | BU | |
| EDCON-Serie | - | G5 = Blund Post | 50 = 50 Ω | XX | N = no RoHS conform | BU = Bulk Ware | IV = Individual Packing |
| | | | 75 = 75 Ω | | R = RoHS conform | | |

**PCB Mount
TNC**

Part No.: **T55T1073**

Customer:

| | | | | | | | |
|-------|------|------|-------|--------|------|-------|------------|
| DRW: | Dong | CHKD | Chang | MATL: | Chui | DATE | 01.09.2010 |
| APPD: | Ping | | | FINISH | Hui | Sheet | 3 from 3 |