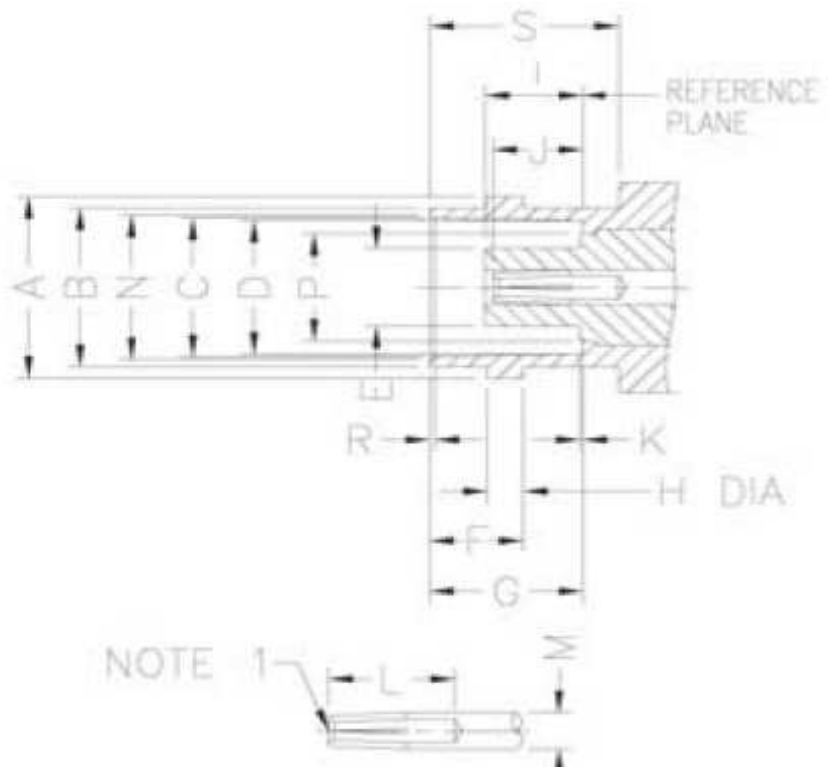
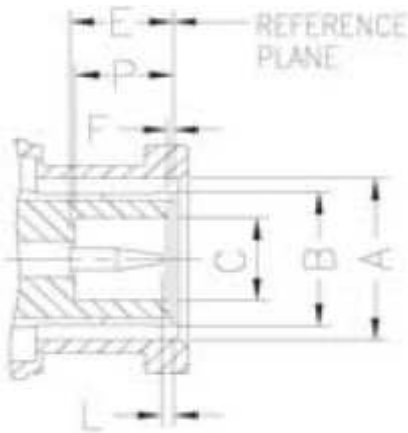




General

BNC connectors are characterized by their 2-stud quick connect/disconnect bayonet coupling arrangement. They are one of the most popular of the coaxial connectors and are suitable for a wide range of system, including Radio Telecommunication Systems, Medical Equipment, Computer Networks and Test Instrumentation.

INTERFACE MATING DIMENSIONS



| Plug | | | | | |
|--------|----------------------------------------|------|--------|------|------|
| Letter | mm | | Letter | mm | |
| | min. | max. | | min. | max. |
| A | 9.78 | 9.91 | E | 5.33 | 5.84 |
| B | Fleard to meet Good Electrical Contact | | F | 0.15 | 0.46 |
| | | | L | 0.08 | 1.02 |
| | | | N | --- | 0.64 |
| C | 4.83 | --- | P | 5.28 | 5.79 |
| D | 1.32 | 1.37 | Q | 1.98 | --- |
| | | | R | 2.06 | 2.21 |

| Jack | | | | | |
|--------|-------|-------|--------|-------|------|
| Letter | mm | | Letter | mm | |
| | min. | max. | | min. | max. |
| A | 10.97 | 11.07 | J | 4.72 | 5.23 |
| B | 9.60 | 9.70 | K | --- | 0.15 |
| C | 8.31 | 8.46 | L | 4.95 | --- |
| D | 8.10 | 8.15 | M | 2.06 | 2.21 |
| E | --- | 4.72 | N | 8.79 | 9.04 |
| F | 5.18 | 5.28 | P | --- | 6.50 |
| G | 8.31 | 8.51 | R | 0.38 | 0.76 |
| H | 1.91 | 2.06 | S | 10.52 | --- |
| I | 4.78 | 5.28 | --- | --- | --- |

Note: I.D. to meet VSWR and contact resistance when mated with 0.94 / 0.99 mm Dia. Pin.

| | |
|----------------------------|-----------------|
| Cable Crimp BNC | |
| Part No.: | T55S1047 |
| Customer: | |

| | | | | | | | |
|-------|------|------|-------|--------|------|-------|------------|
| DRW: | Dong | CHKD | Chang | MATL: | Chui | DATE | 30.09.2010 |
| APPD: | Ping | | | FINISH | Hui | Sheet | 1 from 3 |



Specifications

| Electrical | | | |
|---------------------------------|----------------|----------------|----------|
| Impedance | 50 Ω | 75 Ω | |
| Frequency Range | 0 - 4 GHz | 0 - 1 GHz | |
| Working Voltage | 500 VRMS max. | 500 VRMS max. | |
| Dielectric Withstanding Voltage | 1500 VRMS min. | 1500 VRMS min. | |
| VSWR | Straight | 1.3 max. | 1.3 max. |
| | Right Angle | 1.5 max. | 1.5 max. |
| Contact Resistance | Center Contact | 3 mΩ | 3 mΩ |
| | Outer Contact | 2 mΩ | 2 mΩ |
| Insulator Resistance | 5000 MΩ min. | 5000 MΩ min. | |

| Material | | |
|-------------------|------------------------------------------------------------------|--------------------------------------------|
| Parts Name | Material | Finish |
| Body, Metal Parts | Brass per QQ-B-626 | Nickel 70 micro-inches |
| Outer Contact | Brass per QQ-B-626 | Gold 3 micro-inches |
| Center Contacts | Male: Brass per QQ-B-626 Female: Phosphor Bronze per QQ-C-750 | Gold 3 micro-inches Gold 3 micro-inches |
| Insulators | Teflon, Delrin | None |
| Crimp Ferrules | Annealed Brass | Nickel 70 micro-inches |
| Clamp Gaskets | Silicone rubber | None |

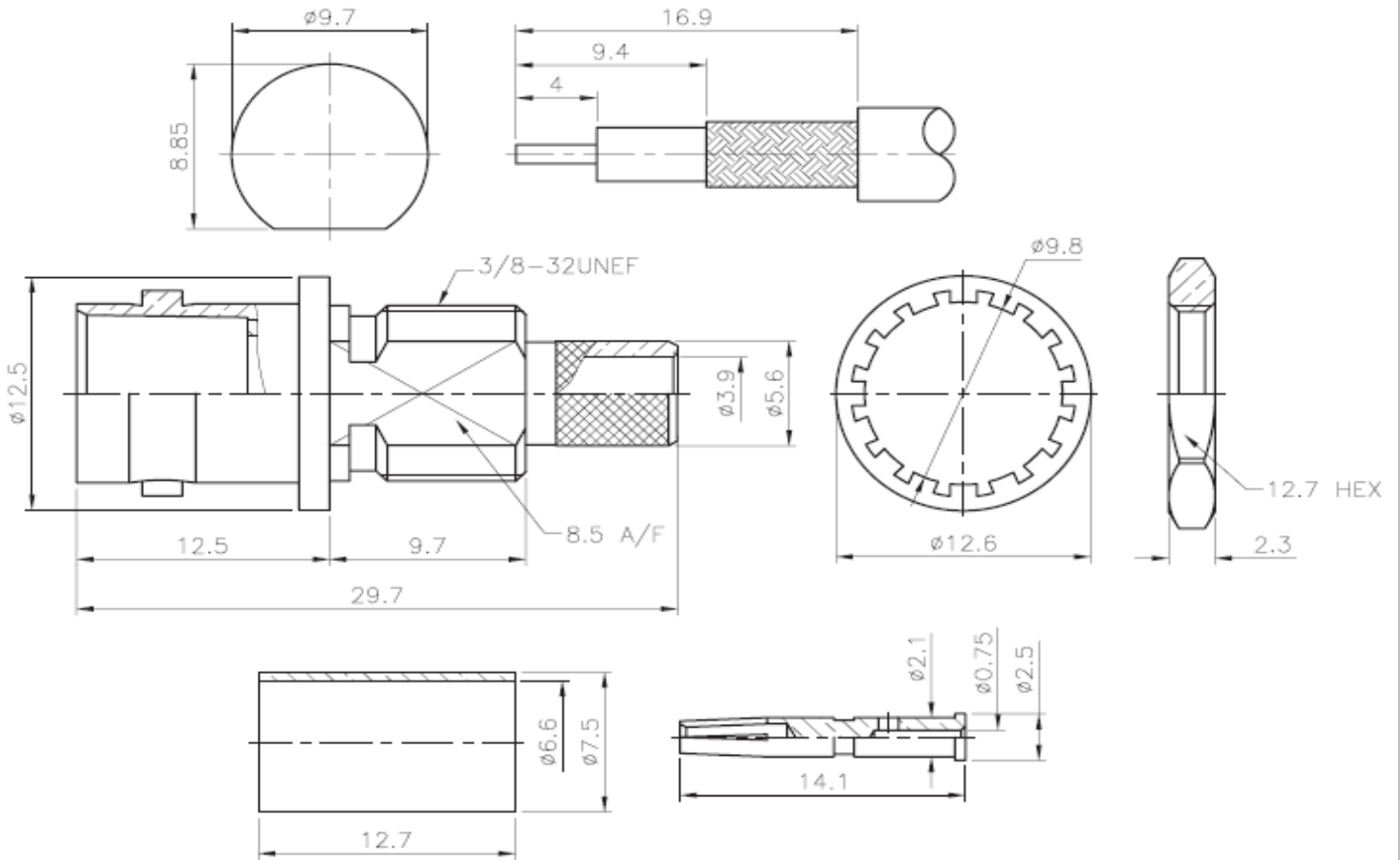
| Mechanical & Environmental | |
|---------------------------------------|-------------------------------------|
| Engagement Force | 2.5 in-lbs. max. torque |
| Disengagement Force | 3 lbs. Max. axial force |
| Coupling Nut Retention | 100 lbs. min. |
| Contact Retention | 6 lbs. min. |
| Durability (Mating) | 500 cycles |
| Temperature Range | -65°C ~ 165°C |
| Vibration | MIL-STD-202 Method 204 Test Cond. B |
| Salt Spray | MIL-STD-202 Method 101 Test Cond. B |
| Thermal Shock | MIL-STD-202 Method 107 Test Cond. B |

| | |
|----------------------------|-----------------|
| Cable Crimp BNC | |
| Part No.: | T55S1047 |
| Customer: | |

| | | | | | | | |
|-------|------|------|-------|--------|------|-------|------------|
| DRW: | Dong | CHKD | Chang | MATL: | Chui | DATE | 30.09.2010 |
| APPD: | Ping | | | FINISH | Hui | Sheet | 2 from 3 |



Technical Drawing



Odering Information

| Serie | - | Cable Group | Impedance | No Function | RoHS | Packing |
|-----------------|---|------------------------|---------------------|-------------|-------------------------------------------------------------|---------------------------------------------------------------|
| T55S1047 | - | A5 | 75 | XX | R | BU |
| EDCON-Serie | - | A5 = RG-59/U | 75 = 75 Ω | XX | N = no RoHS conform R = RoHS conform | BU = Bulk Ware IV = Individual Packing |

| | |
|----------------------------|-----------------|
| Cable Crimp BNC | |
| Part No.: | T55S1047 |
| Customer: | |

| | | | | | | | |
|-------|------|------|-------|--------|------|-------|------------|
| DRW: | Dong | CHKD | Chang | MATL: | Chui | DATE | 30.09.2010 |
| APPD: | Ping | | | FINISH | Hui | Sheet | 3 from 3 |