

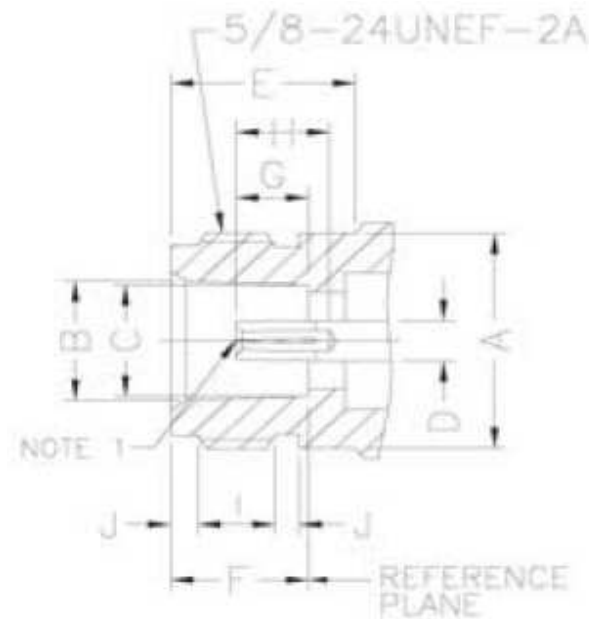
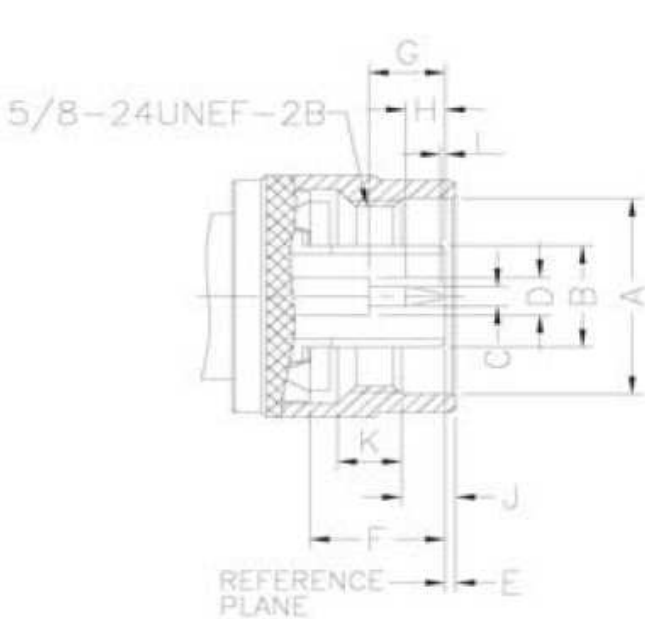


General

N connectors are medium size, high quality connectors with a screw system of coupling designed for use at frequency up to 11 GHz.

They are most suitable for use in laboratory test, satellite TV, MATV and other sophisticated electronic applications when high performance and precision are necessary.

INTERFACE MATING DIMENSIONS



| Plug | | |
|--------|-------|-------|
| Letter | mm | |
| | min. | max. |
| A | 16.00 | --- |
| B | --- | 8.38 |
| C | 1.60 | 1.68 |
| D | 3.00 | 3.15 |
| E | 0.41 | 1.52 |
| F | 10.11 | 10.46 |
| G | 5.33 | 5.84 |
| H | 3.30 | 4.32 |
| I | 0.08 | --- |
| J | 4.01 | 4.27 |
| K | 4.50 | 5.00 |

| Jack | | |
|--------|-------|-------|
| Letter | mm | |
| | min. | max. |
| A | --- | 15.93 |
| B | 8.53 | 8.74 |
| C | 8.03 | 8.13 |
| D | 3.00 | 3.15 |
| E | 10.72 | --- |
| F | 9.04 | 9.19 |
| G | 4.75 | 5.26 |
| H | 5.33 | --- |
| I | 4.37 | 5.13 |
| J | 1.19 | 1.96 |

Note: 1 : Flared to meet mating characteristic test.
 2 : I.D. to meet VSWR and contact resistance when mated with 0.94 / 0.99 mm Dia. Pin.

| | |
|--------------------|-----------------|
| Cable Crimp | |
| N | |
| Part No.: | T55R1027 |
| Customer: | |

| | | | | | | | |
|-------|------|------|-------|--------|------|-------|------------|
| DRW: | Dong | CHKD | Chang | MATL: | Chui | DATE | 18.08.2010 |
| APPD: | Ping | | | FINISH | Hui | Sheet | 1 from 3 |



Specifications

| <i>Electrical</i> | | |
|---------------------------------|----------------|----------------|
| Impedance | | 50 Ω |
| Frequency Range | | 0 - 11 GHz |
| Working Voltage | | 1000 VRMS max. |
| Dielectric Withstanding Voltage | | 2500 VRMS min. |
| VSWR | Straight | 1.3 max. |
| | Right Angle | 1.5 max. |
| | Center Contact | 3 mΩ |
| | Outer Contact | 2 mΩ |
| Insulator Resistance | | 5000 MΩ min. |

| <i>Material</i> | | |
|-------------------|---------------------------------------|------------------------|
| Parts Name | Material | Finish |
| Body, Metal Parts | Brass per QQ-B-626 | Nickel 70 micro-inches |
| Outer Contact | Brass per QQ-B-626 | Gold 3 micro-inches |
| Center Contacts | Male: Brass per QQ-B-626 | Gold 3 micro-inches |
| | Female: Beryllium copper per QQ-C-750 | Gold 3 micro-inches |
| Insulators | Teflon | None |
| Crimp Ferrules | Annealed Brass | Nickel 70 micro-inches |
| Clamp Gaskets | Silicone rubber | None |

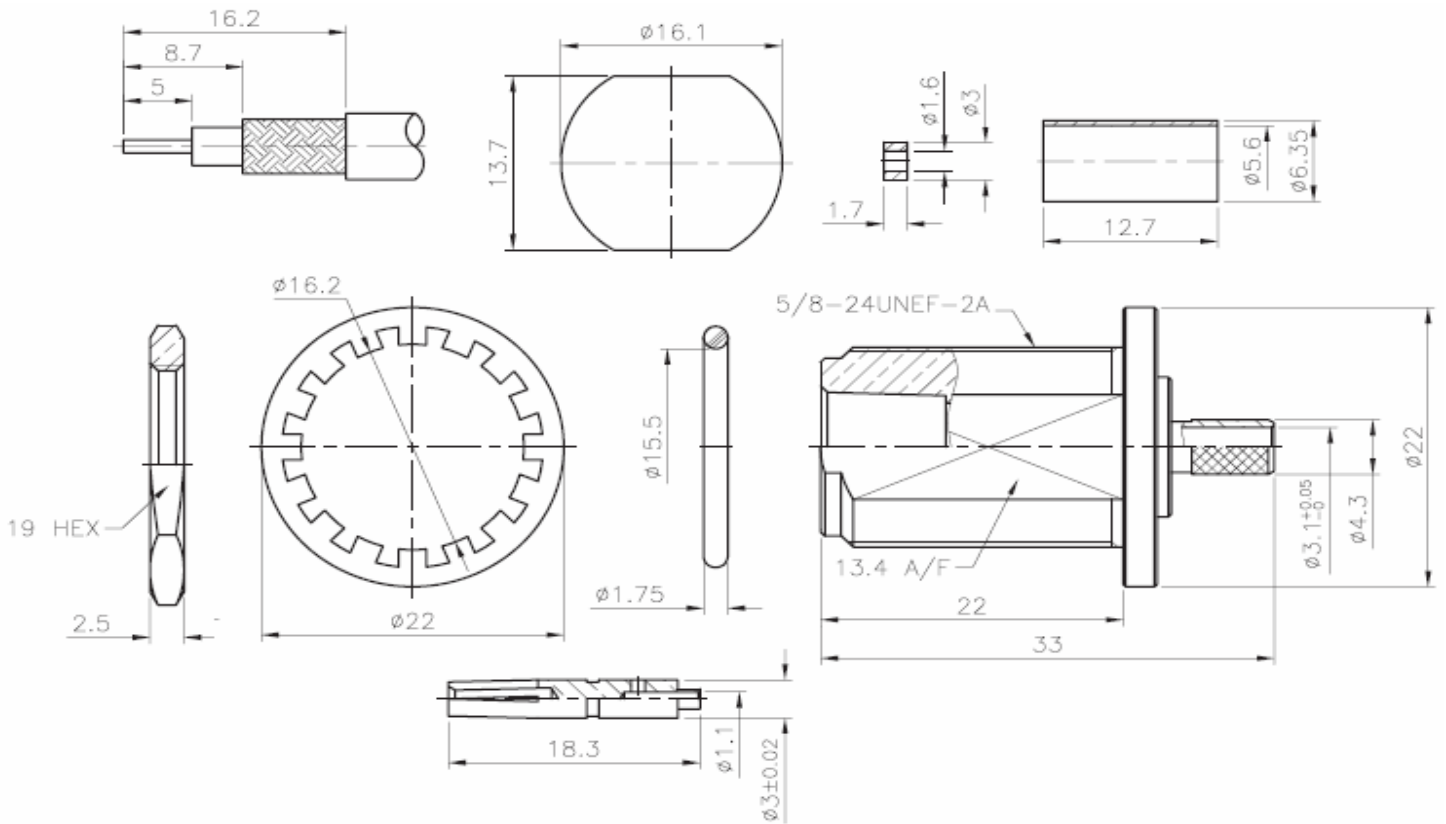
| <i>Mechanical & Environmental</i> | |
|---------------------------------------|-------------------------------------|
| Engagement Force | 16 in-ozs. max. |
| Disengagement Force | 16 in-ozs. max. |
| Coupling Nut Retention | 35 lbs. min. |
| Coupling Proof Torque | 100 in-ozs. min. |
| Contact Retention | 4 lbs. min. |
| Durability (Mating) | 500 cycles |
| Temperature Range | -65°C ~ 165°C |
| Vibration | MIL-STD-202 Method 204 Test Cond. B |
| Salt Spray | MIL-STD-202 Method 101 Test Cond. B |
| Thermal Shock | MIL-STD-202 Method 107 Test Cond. B |

| | |
|--------------------------|-----------------|
| Cable Crimp N | |
| Part No.: | T55R1027 |
| Customer: | |

| | | | | | | | |
|-------|------|------|-------|--------|------|-------|------------|
| DRW: | Dong | CHKD | Chang | MATL: | Chui | DATE | 18.08.2010 |
| APPD: | Ping | | | FINISH | Hui | Sheet | 2 from 3 |



Technical Drawing



Odering Information

| Serie | - | Cable Group | Impedance | No Function | RoHS | Packing |
|-----------------|---|--------------------------|----------------------------|-------------|---|---|
| T55R1027 | - | B1 | 50 | XX | R | BU |
| EDCON-Serie | - | B1 = RG-316U/D | 50 = 50 Ω | XX | N = no RoHS conform R = RoHS conform | BU = Bulk Ware IV = Individual Packing |

Cable Crimp
N
 Part No.: **T55R1027**

| | | | | | | | | |
|-------|------|------|-------|--|-----------|------|-------|------------|
| | | | | | Customer: | | | |
| DRW: | Dong | CHKD | Chang | | MATL: | Chui | DATE | 18.08.2010 |
| APPD: | Ping | | | | FINISH | Hui | Sheet | 3 from 3 |

Copyright by **EDCON-COMPONENTS**

www.edcon-components.com

email: info@edcon-components.com