

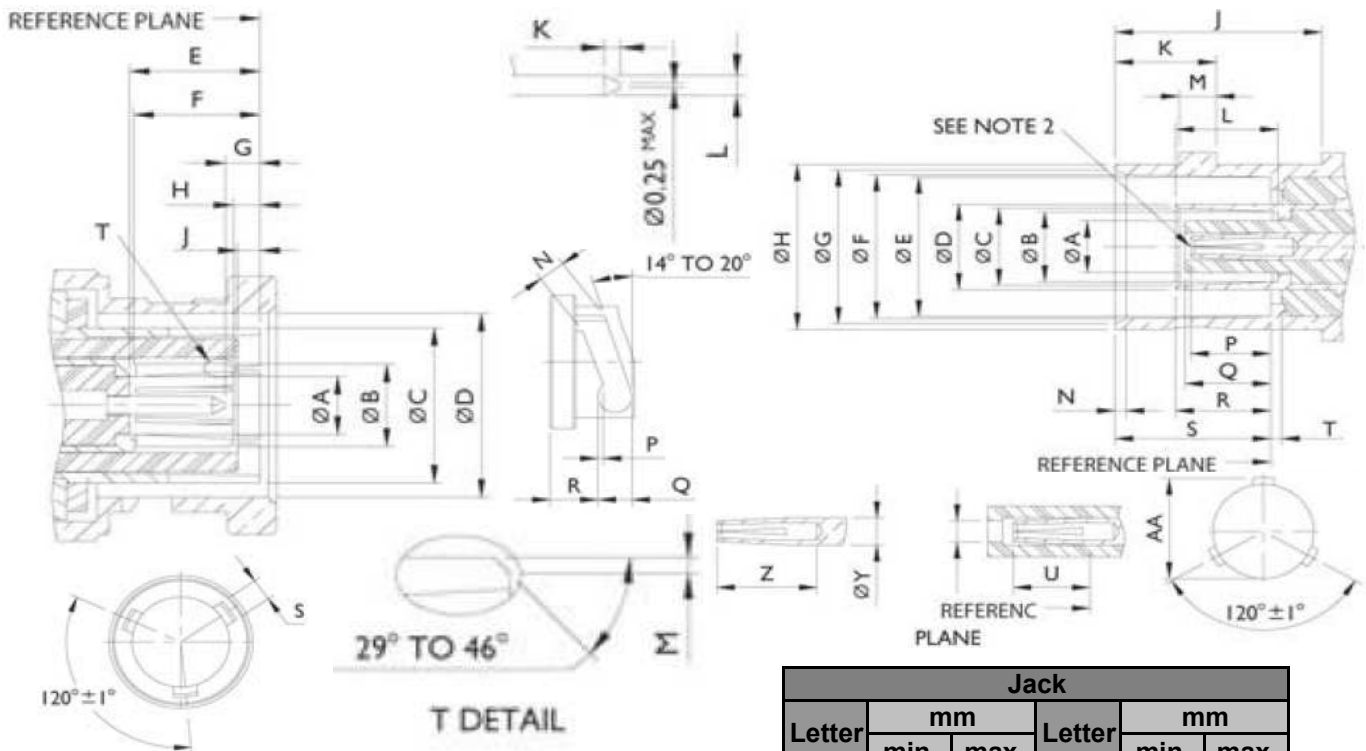


General

TRB connectors, designed and manufactured to meet the requirements of MIL-C-49142, are compact, triaxial connectors with three-stud bayonet coupling.

They are similar in size to BNC connectors and can be used with a wide range of twin-axial and triaxial cables. Their three-stud mating prevents rocking of mated pairs and ensures the low leakage and excellent shielding required in data-bus and other high-speed digital applications.

INTERFACE MATING DIMENSIONS



| Plug | | | | | |
|--------|------------|------|--------|------|------|
| Letter | mm | | Letter | mm | |
| | min. | max. | | min. | max. |
| A | 3.12 | --- | K | 1.04 | 1.55 |
| B | SEE NOTE 1 | | L | 0.94 | 0.99 |
| C | | | M | 0.13 | 0.25 |
| D | 9.78 | 9.91 | N | 2.13 | 2.46 |
| E | 5.41 | --- | P | 0.46 | 0.56 |
| F | 0.20 | 6.15 | Q | 3.15 | --- |
| G | 0.18 | 1.07 | R | 4.57 | 4.67 |
| H | 0.03 | 0.84 | S | 2.31 | 2.46 |
| J | 1.04 | --- | | --- | --- |

| Jack | | | | | |
|--------|-------|------|--------|-------|-------|
| Letter | mm | | Letter | mm | |
| | min. | max. | | min. | max. |
| A | 2.97 | 3.10 | N | 0.38 | 0.76 |
| B | 4.29 | 4.34 | P | 4.19 | 5.16 |
| C | 4.52 | 4.62 | Q | --- | 5.41 |
| D | 4.95 | 5.05 | R | 4.75 | 5.41 |
| E | 8.10 | 8.15 | S | 8.31 | 8.51 |
| F | 8.31 | 8.46 | T | 0.03 | --- |
| G | 8.79 | 9.04 | W | 1.02 | 1.09 |
| H | 9.60 | 9.70 | U | 3.38 | 4.19 |
| J | 10.52 | --- | Y | 1.57 | 1.63 |
| K | 5.18 | 5.28 | Z | 5.08 | --- |
| L | 5.23 | 5.41 | AA | 10.97 | 11.07 |
| M | 1.90 | 2.06 | | --- | --- |

Note: 1 : Flared to meet mating characteristic test.
2 : I.D. to meet VSWR and contact resistance when mated with 0.94 / 0.99 mm Dia. Pin.

| | |
|------------------------|-----------------|
| Adaptor TRB | |
| Part No.: | T55Q1007 |
| Customer: | |

| | | | | | | | |
|-------|------|------|-------|--------|------|-------|------------|
| DRW: | Dong | CHKD | Chang | MATL: | Chui | DATE | 29.04.2010 |
| APPD: | Ping | | | FINISH | Hui | Sheet | 1 from 3 |



Specifications

| <i>Electrical</i> | |
|---------------------------------|----------------------|
| Impedance | 50 Ω |
| Frequency Range | 0 - 3 GHz |
| Working Voltage | 500 VRMS max. |
| Dielectric Withstanding Voltage | 1500 VRMS min. |
| Insulator Resistance | 5000 M Ω min. |

| <i>Material</i> | | |
|-------------------|--|--|
| Parts Name | Material | Finish |
| Body, Metal Parts | Brass per QQ-B-626 | Nickel 70 micro-inches |
| Outer Contact | Brass per QQ-B-626 | Gold 3 micro-inches |
| Center Contacts | Male: Brass per QQ-B-626 Female: Beryllium copper per QQ-C-530 | Gold 3 micro-inches Gold 3 micro-inches |
| Insulators | Teflon | None |
| Crimp Ferrules | Annealed Brass | Nickel 70 micro-inches |

**Adaptor
TRB**

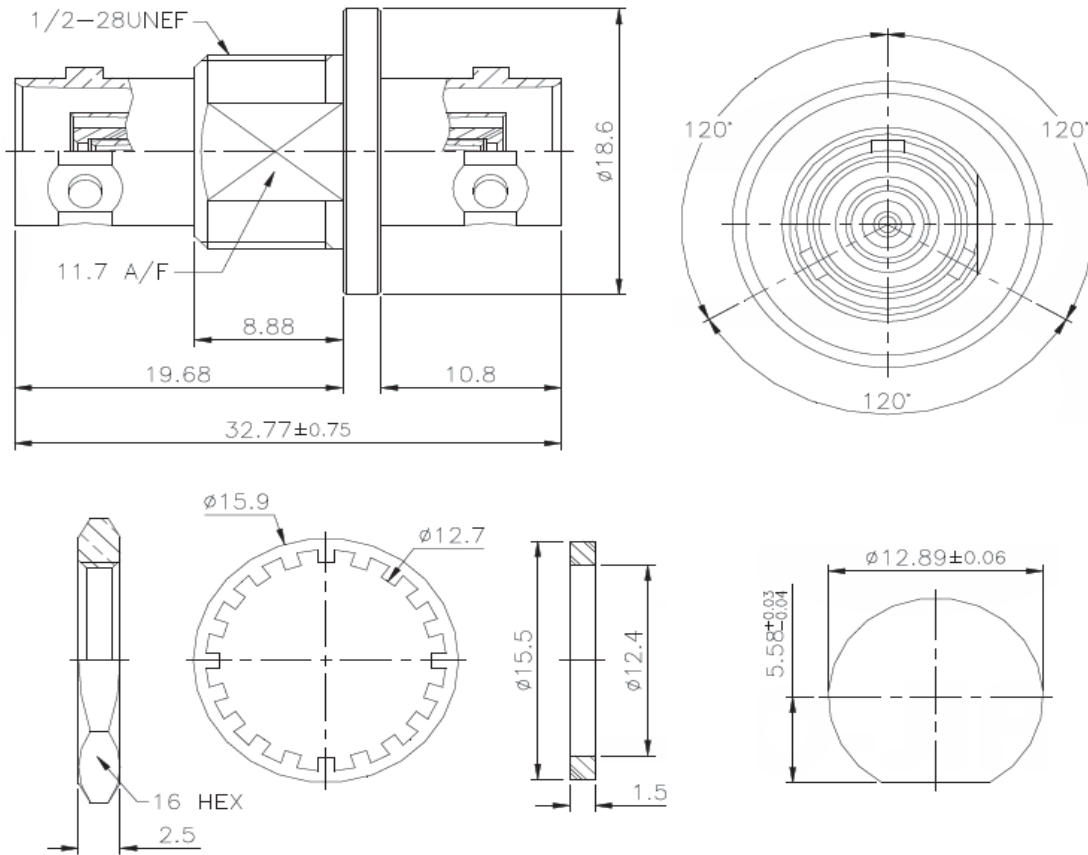
Part No.: **T55Q1007**

Customer:

| | | | | | | | |
|-------|------|------|-------|--------|------|-------|------------|
| DRW: | Dong | CHKD | Chang | MATL: | Chui | DATE | 29.04.2010 |
| APPD: | Ping | | | FINISH | Hui | Sheet | 2 from 3 |



Technical Drawing



Odering Information

| Serie | - | Cable Group | Impedance | No Function | RoHS | Packing |
|-------------|---|----------------|--------------|-------------|---|---|
| T55Q1007 | - | G4 | 50 | XX | R | BU |
| EDCON-Serie | - | G4 = Others | 50 = 50 Ω | XX | N = no RoHS conform R = RoHS conform | BU = Bulk Ware IV = Individual Packing |

| | |
|------------------------|-----------------|
| Adaptor TRB | |
| Part No.: | T55Q1007 |
| Customer: | |

| | | | | | | | |
|-------|------|------|-------|--------|------|-------|------------|
| DRW: | Dong | CHKD | Chang | MATL: | Chui | DATE | 29.04.2010 |
| APPD: | Ping | | | FINISH | Hui | Sheet | 3 from 3 |