

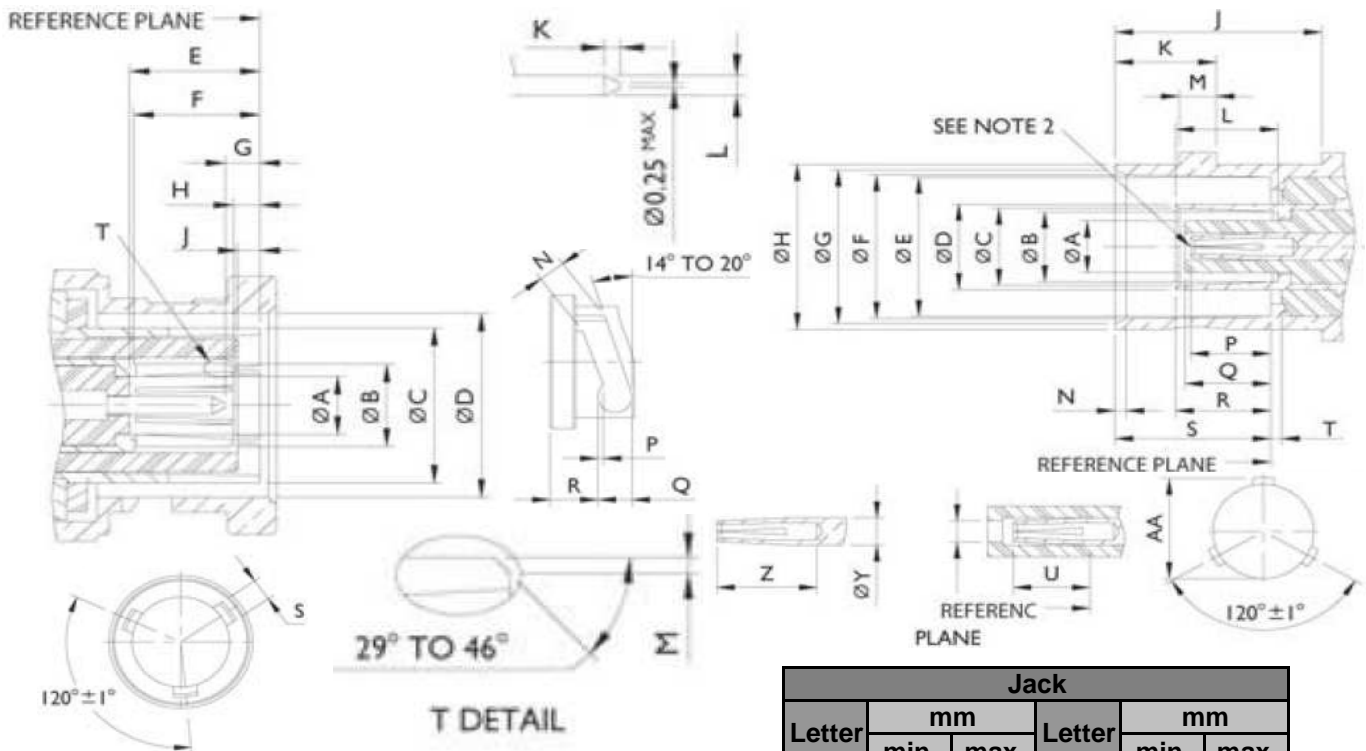


**General**

TRB connectors, designed and manufactured to meet the requirements of MIL-C-49142, are compact, triaxial connectors with three-stud bayonet coupling.

They are similar in size to BNC connectors and can be used with a wide range of twin-axial and triaxial cables. Their three-stud mating prevents rocking of mated pairs and ensures the low leakage and excellent shielding required in data-bus and other high-speed digital applications.

**INTERFACE MATING DIMENSIONS**



Plug					
Letter	mm		Letter	mm	
	min.	max.		min.	max.
A	3.12	---	K	1.04	1.55
B	SEE NOTE 1		L	0.94	0.99
C			M	0.13	0.25
D	9.78	9.91	N	2.13	2.46
E	5.41	---	P	0.46	0.56
F	0.20	6.15	Q	3.15	---
G	0.18	1.07	R	4.57	4.67
H	0.03	0.84	S	2.31	2.46
J	1.04	---	---	---	---

Jack					
Letter	mm		Letter	mm	
	min.	max.		min.	max.
A	2.97	3.10	N	0.38	0.76
B	4.29	4.34	P	4.19	5.16
C	4.52	4.62	Q	---	5.41
D	4.95	5.05	R	4.75	5.41
E	8.10	8.15	S	8.31	8.51
F	8.31	8.46	T	0.03	---
G	8.79	9.04	W	1.02	1.09
H	9.60	9.70	U	3.38	4.19
J	10.52	---	Y	1.57	1.63
K	5.18	5.28	Z	5.08	---
L	5.23	5.41	AA	10.97	11.07
M	1.90	2.06	---	---	---

**Note:** 1 : Flared to meet mating characteristic test.  
2 : I.D. to meet VSWR and contact resistance when mated with 0.94 / 0.99 mm Dia. Pin.

<b>Panel Mount TRB</b>	
Part No.:	<b>T55Q1006</b>
Customer:	

DRW:	Dong	CHKD	Chang	MATL:	Chui	DATE	29.04.2010
APPD:	Ping			FINISH	Hui	Sheet	1 from 3



**Specifications**

<i>Electrical</i>	
Impedance	50 Ω
Frequency Range	0 - 3 GHz
Working Voltage	500 VRMS max.
Dielectric Withstanding Voltage	1500 VRMS min.
Insulator Resistance	5000 MΩ min.

<i>Material</i>		
Parts Name	Material	Finish
Body, Metal Parts	Brass per QQ-B-626	Nickel 70 micro-inches
Outer Contact	Brass per QQ-B-626	Gold 3 micro-inches
Center Contacts	Male: Brass per QQ-B-626 Female: Beryllium copper per QQ-C-530	Gold 3 micro-inches Gold 3 micro-inches
Insulators	Teflon	None
Crimp Ferrules	Annealed Brass	Nickel 70 micro-inches

**Panel Mount  
 TRB**

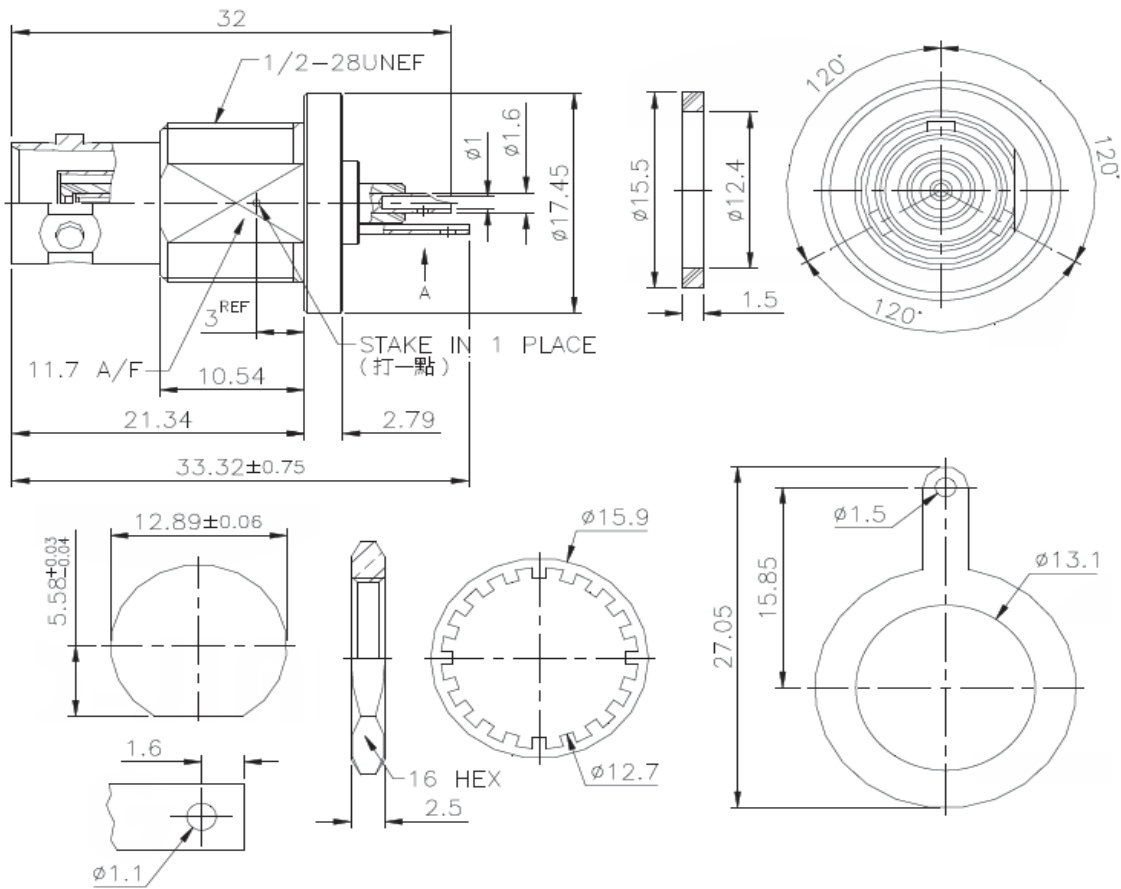
Part No.: **T55Q1006**

Customer:

DRW:	Dong	CHKD	Chang	MATL:	Chui	DATE	29.04.2010
APPD:	Ping			FINISH	Hui	Sheet	2 from 3



**Technical Drawing**



**Odering Information**

Serie	-	Cable Group	Impedance	No Function	RoHS	Packing
T55Q1006	-	G6	50	XX	R	BU
EDCON-Serie	-	G6 = Solder Cup	50 = 50 Ω	XX	N = no RoHS conform R = RoHS conform	BU = Bulk Ware IV = Individual Packing

<b>Panel Mount TRB</b>	
Part No.:	<b>T55Q1006</b>
Customer:	

DRW:	Dong	CHKD	Chang	MATL:	Chui	DATE	29.04.2010
APPD:	Ping			FINISH	Hui	Sheet	3 from 3