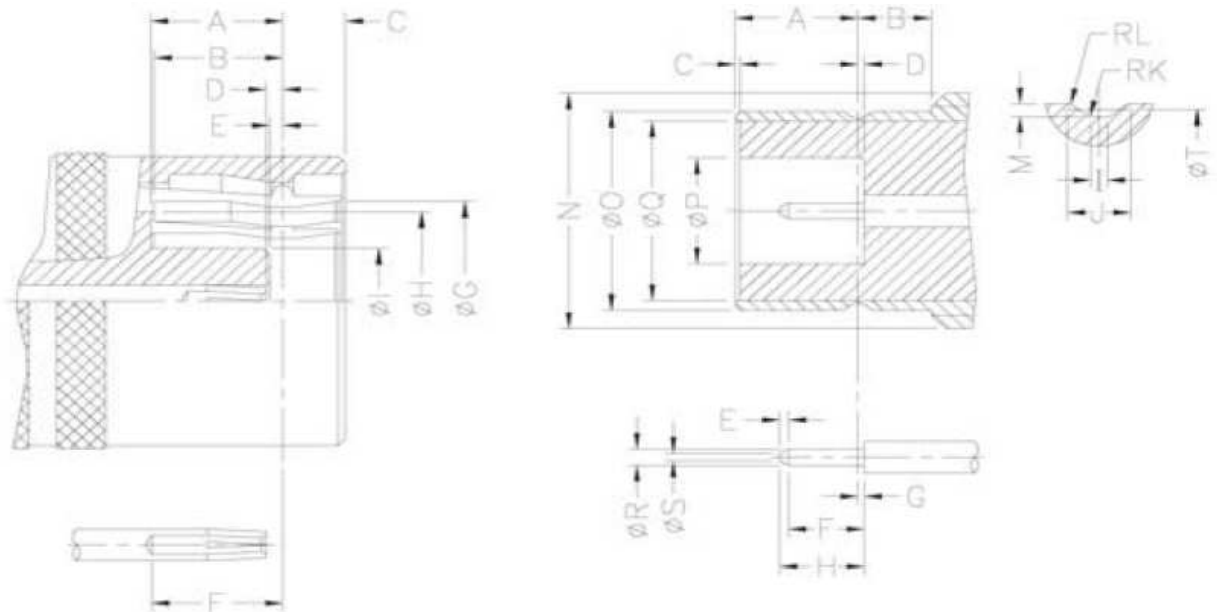




General

BT43 coaxial connectors ranges featured in this catalogue include both the stand (12.7mm), high density (10.0mm) and ultra high density (9.0mm) versions of type 43 Digital Distribution Frame (DDFmm) plugs, sockets and U-links, as well as ancillary products such as SMB, SMZ, BNC connectors and adaptors.

INTERFACE MATING DIMENSIONS



Plug		
Letter	mm	
	min.	max.
A	3.63	3.83
B	3.61	3.77
C	---	1.80
D	0.23	0.38
E	0.23	0.48
F	3.20	3.53
G	6.25	---
H	5.60	NOM
I	---	3.33

Jack					
Letter	mm		Letter	mm	
	min.	max.		min.	max.
A	3.33	3.58	RK	---	0.13
B	2.01	---	RL	0.05	0.15
C	0.00	---	M	0.15	0.25
D	---	0.18	N	---	7.94
E	0.25	---	O	6.20	6.25
F	1.32	---	P	3.35	---
G	---	0.18	Q	5.60	NOM
H	---	2.97	R	0.48	0.53
I	0.28	0.38	S	---	0.25
J	0.69	0.94	T	5.97	6.07

PCB Mount BT43	
Part No.:	T55P1015
Customer:	

DRW:	Dong	CHKD	Chang	MATL:	Chui	DATE	29.04.2010
APPD:	Ping			FINISH	Hui	Sheet	1 from 3



Specifications

<i>Electrical</i>		
Impedance		75 Ω
Frequency Range		0 - 3 GHz
Working Voltage		500 VRMS max.
Dielectric Withstanding Voltage		1500 VRMS min.
VSWR	Straight	1.3 max.
	Right Angle	1.5 max.
Contact Resistance	Center Contact	5 mΩ max.
	Outer Contact	2 mΩ max.
Insulator Resistance		5000 MΩ min.

<i>Material</i>		
Parts Name	Material	Finish
Body, Metal Parts	Brass per QQ-B-626	Nickel 70 micro-inches
Center Contacts	Male: Brass per QQ-B-626	Gold 30 micro-inches
	Female: Beryllium copper per QQ-C-750	Gold 30 micro-inches
Insulators	Teflon	None
Outer Contact	Beryllium copper per QQ-C-530	Gold 3 micro-inches
Crimp Ferrules	Annealed Brass	Nickel 70 micro-inches

<i>Mechanical & Environmental</i>	
Mechanical Endurance	250 matings
Cable Retention (Male Connectors)	220 N min.
Cable Retention (Socket Connectors)	220 N min.
Center Contact Retention (Male Con.)	22 N min.
Center Contact Retention (Socket Con.)	22 N min.
Weight	10 grams typical
Temperature Range	-40°C to 100°C
Vibration	MIL-STD-202 Method 204 Test Cond. B
Salt Spray	MIL-STD-202 Method 101 Test Cond. B
Thermal Shock	MIL-STD-202 Method 107 Test Cond. B

**PCB Mount
BT43**

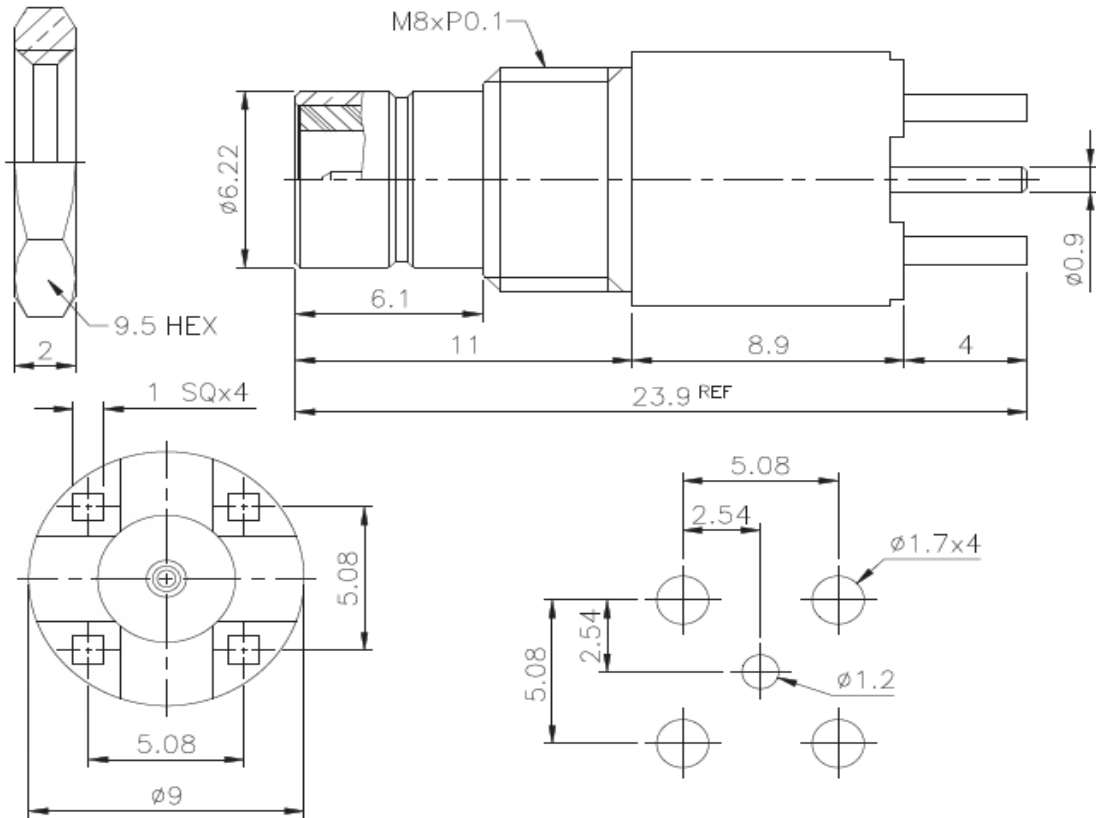
Part No.: **T55P1015**

Customer:

DRW:	Dong	CHKD	Chang	MATL:	Chui	DATE	29.04.2010
APPD:	Ping			FINISH	Hui	Sheet	2 from 3



Technical Drawing



Odering Information

Serie	-	Cable Group	Impedance	No Function	RoHS	Packing
T55P1015	-	G5	75	XX	R	BU
EDCON-Serie	-	G5 = Blunt Post	75 = 75 Ω	XX	N = no RoHS conform R = RoHS conform	BU = Bulk Ware IV = Individual Packing

PCB Mount BT43	
Part No.:	T55P1015
Customer:	

DRW:	Dong	CHKD	Chang	MATL:	Chui	DATE	29.04.2010
APPD:	Ping			FINISH	Hui	Sheet	3 from 3