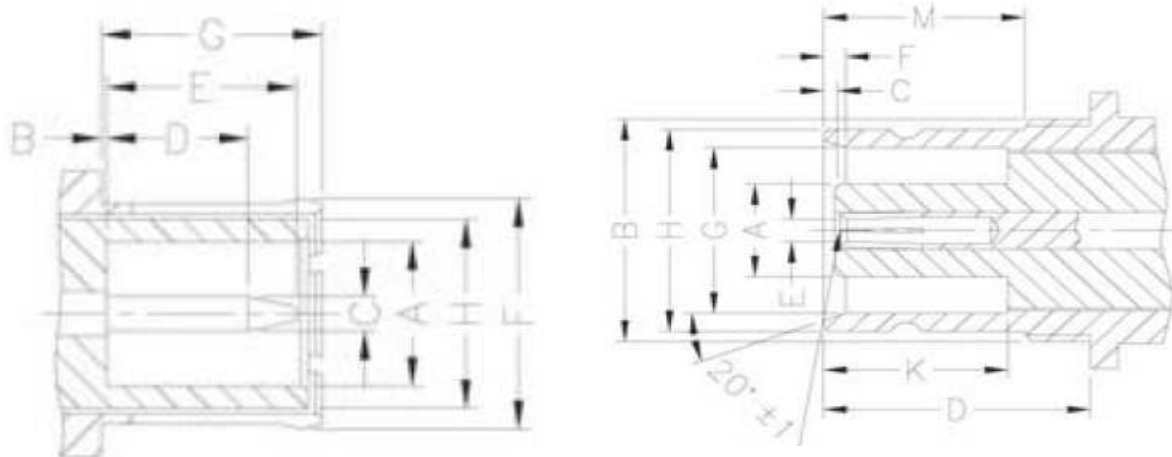




General

1.6/5.6 series coaxial connectors with 75 Ω impedance are well-suited for the connection and the transfer of both radio frequency analog and digital signals in modern telecommunication equipment.

INTERFACE MATING DIMENSIONS



Plug		
Letter	mm	
	min.	max.
A	4.00	---
B	---	0.15
C	0.97	1.03
D	3.90	4.30
E	---	5.50
F	Flared to meet good Electrical Contact	
G	6.40	6.60
H	5.60	

Jack		
Letter	mm	
	min.	max.
A	---	3.80
B	M9*0.5	
C	0.25	---
D	9.70	---
F	0.90	1.10
G	6.60	6.69
H	8.10	8.25
K	6.70	---
M	7.00	7.50

Note: I.D. to meet VSWR and Contact Resistance when mated with 1.00/1.06 mm dia. pin.

Cable Crimp 1.6/5.6	
Part No.:	T55N1029
Customer:	

DRW:	Dong	CHKD	Chang	MATL:	Chui	DATE	17.08.2010
APPD:	Ping			FINISH	Hui	Sheet	1 from 3



Specifications

<i>Electrical</i>		
Impedance		75 Ω
Frequency Range		0 - 1 GHz
Working Voltage		335 VRMS max.
Dielectric Withstanding Voltage		1000 VRMS min.
VSWR	Straight	1.3 max.
	Right Angle	1.5 max.
Contact Resistance	Center Contact	4 mΩ max.
	Outer Contact	2 mΩ max.
Insulator Resistance		1000 MΩ min.

<i>Material</i>		
Parts Name	Material	Finish
Body, Metal Parts	Brass per QQ-B-626	Nickel 70 micro-inches
Outer Contact	Phosphor Bronze per QQ-B-750	Gold 3 micro-inches
Center Contacts	Male: Brass per QQ-B-626 Female: Beryllium copper per QQ-C-750	Gold 30 micro-inches Gold 30 micro-inches
Insulators	Teflon	None
Crimp Ferrules	Annealed Brass	Nickel 70 micro-inches

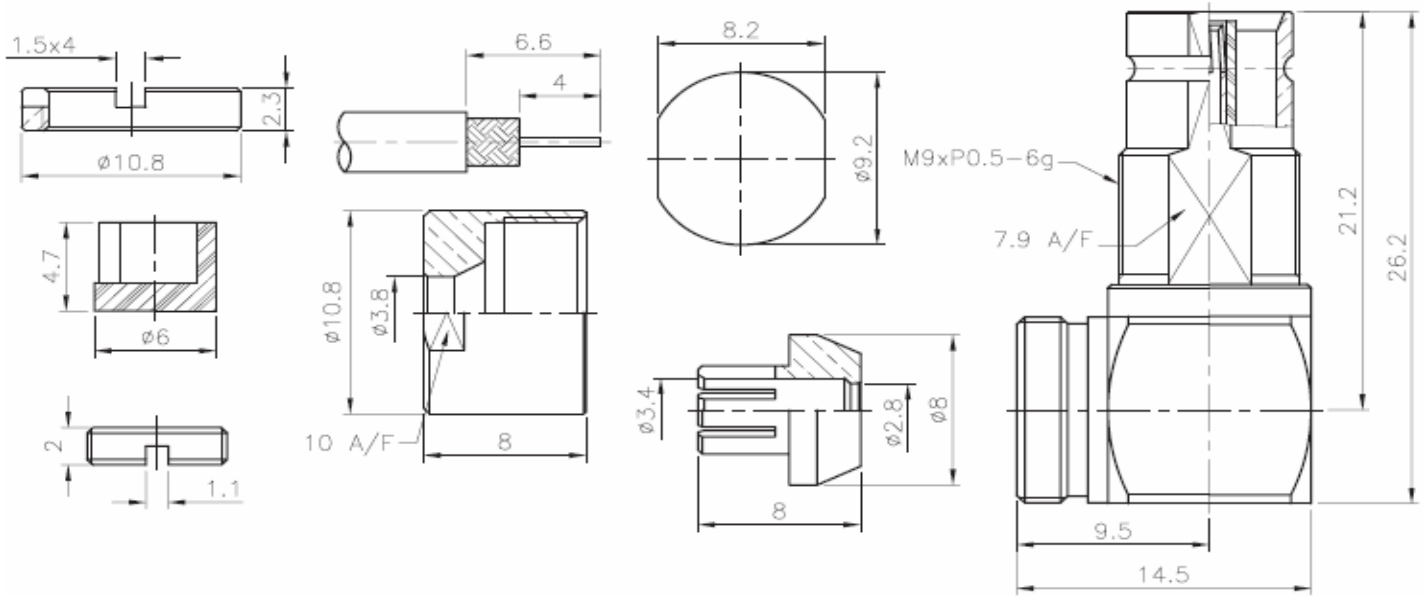
<i>Mechanical & Environmental</i>	
Contact Retention	6 lbs. min.
Durability (Mating)	500 cycles

Cable Crimp 1.6/5.6	
Part No.:	T55N1029
Customer:	

DRW:	Dong	CHKD	Chang		MATL:	Chui	DATE	17.08.2010
APPD:	Ping				FINISH	Hui	Sheet	2 from 3



Technical Drawing



Ordering Information

Serie	-	Cable Group	Impedance	No Function	RoHS	Packing
T55N1029	-	G7	75	XX	R	BU
EDCON-Serie	-	G7 = RG-179/U, 187A/U, B9221	75 = 75 Ω	XX	N = no RoHS conform R = RoHS conform	BU = Bulk Ware IV = Individual Packing

Cable Crimp 1.6/5.6	
Part No.:	T55N1029
Customer:	

DRW:	Dong	CHKD	Chang	MATL:	Chui	DATE	17.08.2010
APPD:	Ping			FINISH	Hui	Sheet	3 from 3