

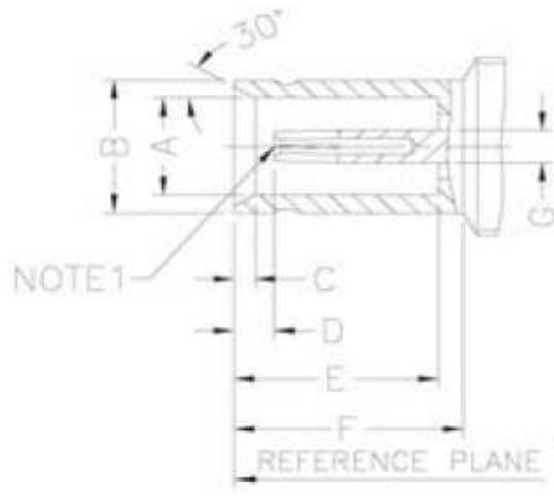
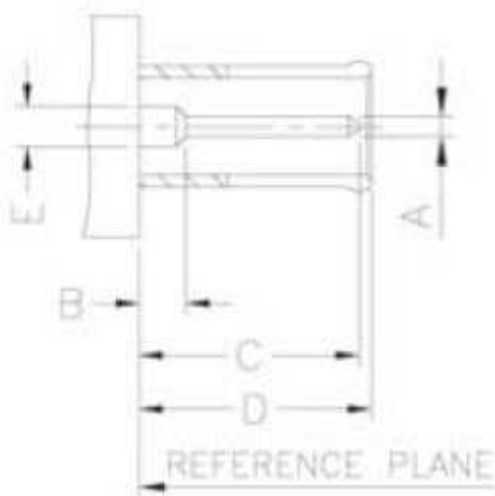


General

1.0/2.3 connectors feature a slide-on coupling mechanism to prevent accidental disconnection.

The 1.0/2.3 series are suitable for applications up to 4 GHz and especially ideal for telecommunication system.

INTERFACE MATING DIMENSIONS



Plug		
Letter	mm	
	min.	max.
A	0.48	0.52
B	---	1.15
C	---	5.50
D	5.40	5.70
E	0.98	1.02

Jack		
Letter	mm	
	min.	max.
A	3.00	3.06
B	4.03	4.15
C	0.50	0.60
D	1.15	---
E	5.80	5.90
F	6.40	6.50
G	0.98	1.02

Note: I.D. to meet VSWR and Contact Resistance when mated with 0.48/0.52 mm dia. pin.

PCB Mount 1.0/2.3		
Part No.:	T55M1014	
Customer:		

DRW:	Dong	CHKD	Chang	MATL:	Chui	DATE	29.04.2010
APPD:	Ping			FINISH	Hui	Sheet	1 from 3

Copyright by EDCON-COMPONENTS



Specifications

<i>Electrical</i>		
Impedance		50 Ω
Frequency Range		0 - 4 GHz
Working Voltage		250 VRMS max.
Dielectric Withstanding Voltage		750 VRMS min.
VSWR	Straight	1.3 max.
	Right Angle	1.5 max.
Contact Resistance	Center Contact	6 mΩ max.
	Outer Contact	3 mΩ max.
Insulator Resistance		1000 MΩ min.

<i>Material</i>		
Parts Name	Material	Finish
Body, Metal Parts	Brass per QQ-B-626	Nickel 70 micro-inches
Outer	Phosphor Bronze per QQ-B-750	Gold 3 micro-inches
Center Contacts	Male: Brass per QQ-B-626 Female: Beryllium copper per QQ-C-530	Gold 30 micro-inches Gold 30 micro-inches
Insulators	Teflon	None
Crimp Ferrules	Annealed Brass	Nickel 70 micro-inches

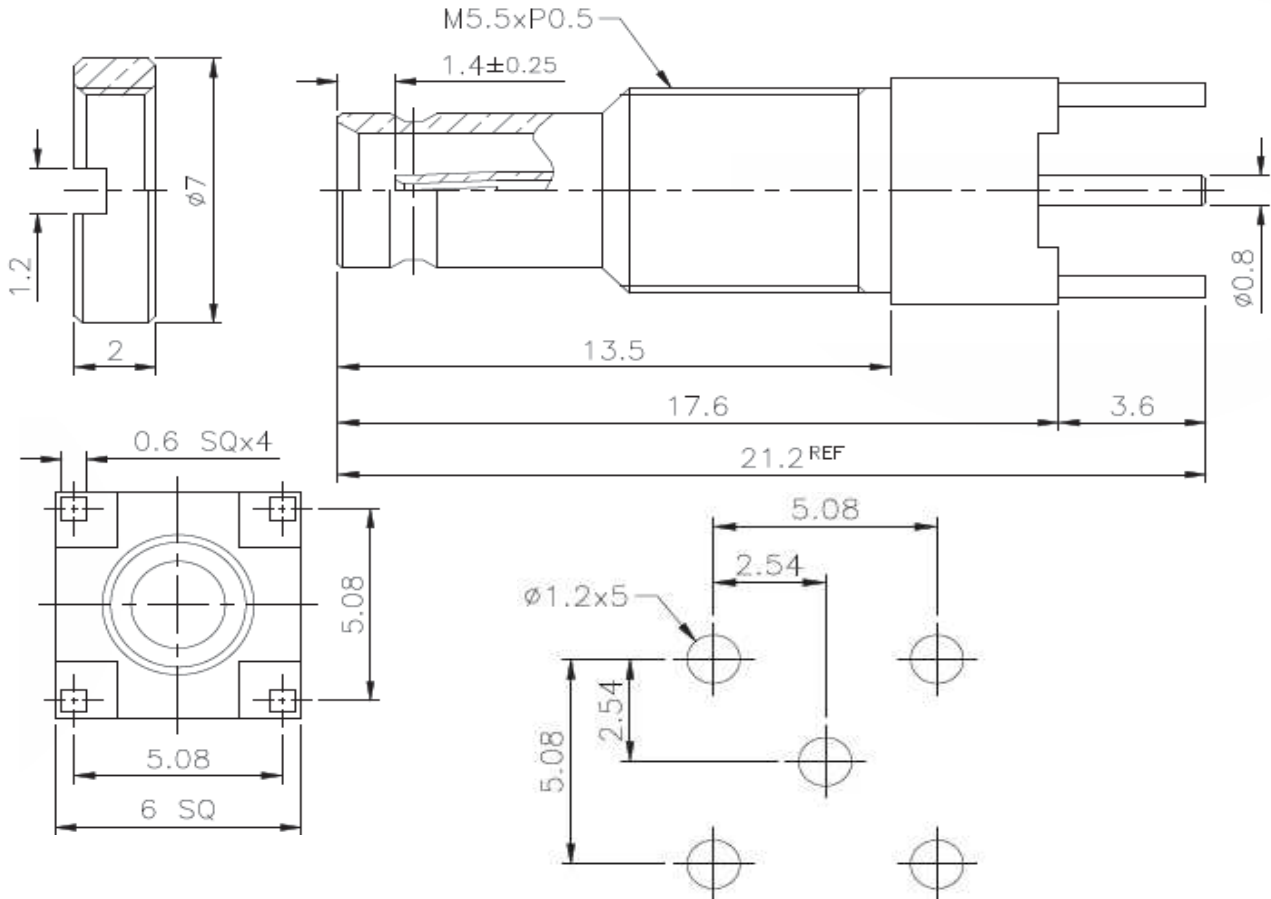
<i>Mechanical & Environmental</i>	
Engagement Force	2.3 lbs. max.
Disengagement Force	2.3 lbs. max.
Contact Retention	4 lbs. min.
Durability (Mating)	500 cycles

PCB Mount 1.0/2.3	
Part No.:	T55M1014
Customer:	

DRW:	Dong	CHKD	Chang	MATL:	Chui	DATE	29.04.2010
APPD:	Ping			FINISH	Hui	Sheet	2 from 3



Technical Drawing



Odering Information

Serie	-	Cable Group	Impedance	No Function	RoHS	Packing
T55M1014	-	G5	50	XX	R	BU
EDCON-Serie	-	G5 = Blunt Post	50 = 50 Ω	XX	N = no RoHS conform R = RoHS conform	BU = Bulk Ware IV = Individual Packing

PCB Mount 1.0/2.3	
Part No.:	T55M1014
Customer:	

DRW:	Dong	CHKD	Chang	MATL:	Chui	DATE	29.04.2010
APPD:	Ping			FINISH	Hui	Sheet	3 from 3