



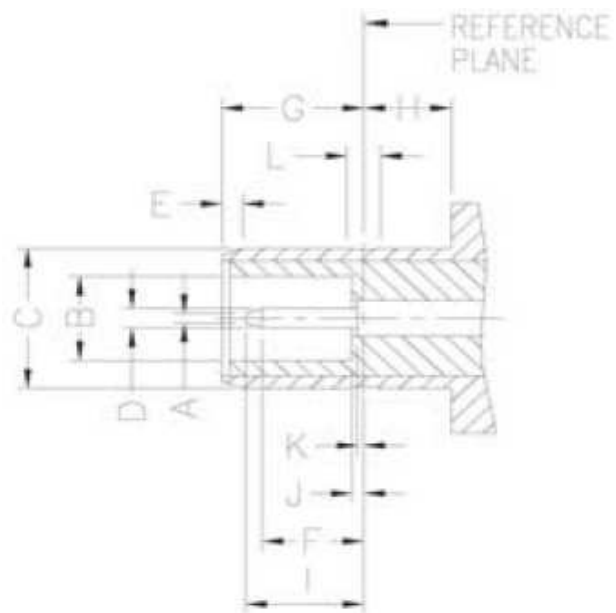
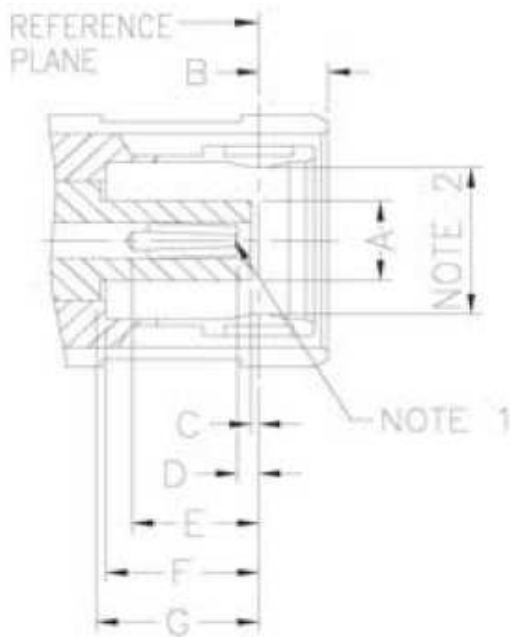
General

SMB series are semi-precision and subminiature devices that provide repeatable electrical performance to 4 GHz.

SMB family of connectors provides a mean of quick connect / disconnect through a snap-on type coupling.

SMB connectors are popularly used in telecommunications, test equipment and instrumentation.

INTERFACE MATING DIMENSIONS



| Plug | | |
|--------|------|------|
| Letter | mm | |
| | min. | max. |
| A | 2.00 | 2.06 |
| B | --- | 1.62 |
| C | 0.18 | --- |
| D | 0.18 | 0.94 |
| E | 2.97 | --- |
| F | 3.58 | --- |
| G | 3.58 | --- |

| Jack | | |
|--------|------|------|
| Letter | mm | |
| | min. | max. |
| A | --- | 0.25 |
| B | 2.08 | 2.16 |
| C | 3.66 | 3.71 |
| D | 0.48 | 0.53 |
| E | 0.00 | --- |
| F | 1.32 | --- |
| G | 3.33 | 3.58 |
| H | 2.03 | --- |
| I | --- | 2.97 |
| J | --- | 0.18 |
| K | --- | 0.18 |
| L | 0.69 | 0.94 |

Note: I.D. to meet VSWR and Contact Resistance when mated with 0.48/0.53 mm dia. pin.

| | |
|----------------------------|-----------------|
| Panel Mount SMB | |
| Part No.: | T55K1039 |
| Customer: | |

| | | | | | | | |
|-------|------|------|-------|--------|------|-------|------------|
| DRW: | Dong | CHKD | Chang | MATL: | Chui | DATE | 16.08.2010 |
| APPD: | Ping | | | FINISH | Hui | Sheet | 1 from 3 |



Specifications

| <i>Electrical</i> | | |
|---------------------------------|---------------------------------|--|
| Impedance | | 50 Ω |
| Frequency Range | | 0 - 4 GHz |
| Working Voltage | | RG-178: 250 VRMS max. RG-316, .085": 335 VRMS max. |
| Dielectric Withstanding Voltage | | RG-178: 750 VRMS min. RG-316, .085": 1000 VRMS min. |
| VSWR | Straight Right Angle | 1.3 max. 1.5 max. |
| Contact Resistance | Center Contact Outer Contact | 6 mΩ max. 2.5 mΩ max. |
| Insulator Resistance | | 1000 MΩ min. |

| <i>Material</i> | | |
|-------------------|--|--|
| Parts Name | Material | Finish |
| Body, Metal Parts | Brass per QQ-B-626 | Gold 3 micro-inches |
| Center Contacts | Male: Brass per QQ-B-626 Female: Beryllium copper per QQ-C-530 | Gold 30 micro-inches Gold 30 micro-inches |
| Insulators | Teflon | None |
| Crimp Ferrules | Annealed Brass | Gold 3 micro-inches |

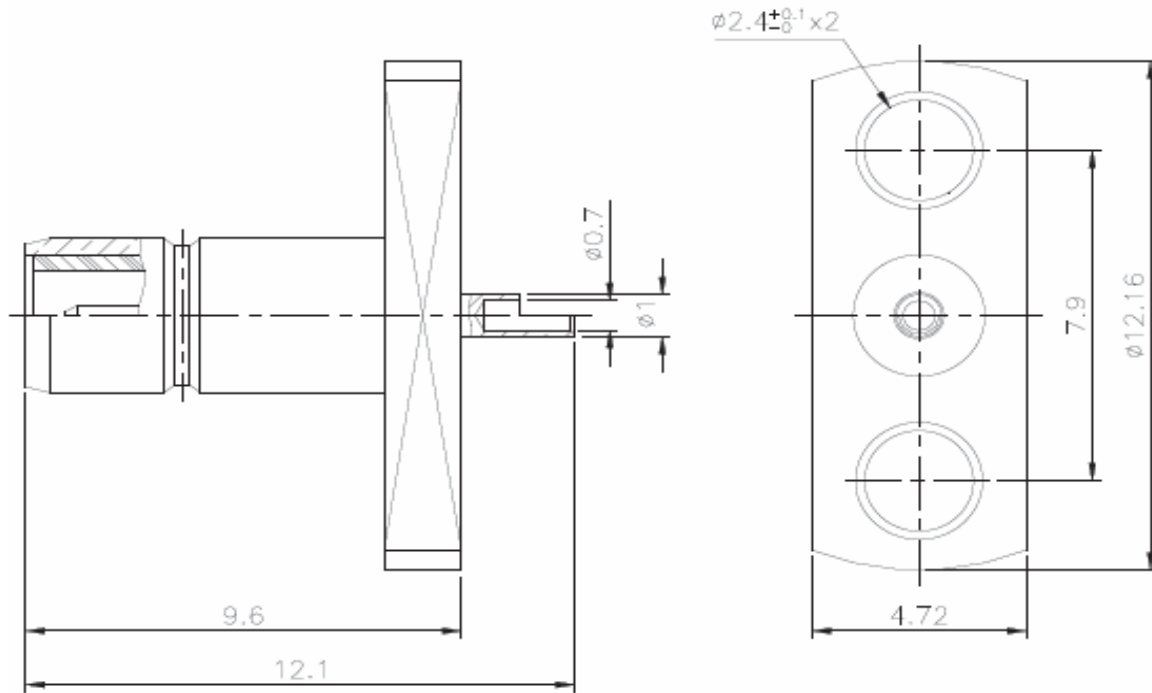
| <i>Mechanical & Environmental</i> | |
|---------------------------------------|-------------------------------------|
| Engagement Force | 14 lbs. max. |
| Disengagement Force | 4 lbs. max. |
| Durability (Mating) | 500 cycles |
| Temperature Range | -65°C ~ 155°C |
| Vibration | MIL-STD-202 Method 204 Test Cond. B |
| Salt Spray | MIL-STD-202 Method 101 Test Cond. B |
| Thermal Shock | MIL-STD-202 Method 107 Test Cond. B |

| | |
|----------------------------|-----------------|
| Panel Mount SMB | |
| Part No.: | T55K1039 |
| Customer: | |

| | | | | | | | |
|-------|------|------|-------|--------|------|-------|------------|
| DRW: | Dong | CHKD | Chang | MATL: | Chui | DATE | 16.08.2010 |
| APPD: | Ping | | | FINISH | Hui | Sheet | 2 from 3 |



Technical Drawing



Odering Information

| Serie | - | Cable Group | Impedance | No Function | RoHS | Packing |
|-----------------|---|------------------------------|-------------------------------|-------------|---|---|
| T55K1039 | - | G6 | 50 | XX | R | BU |
| EDCON-Serie | - | G6 = Solder Cup | 50 = 50 Ω | XX | N = no RoHS conform R = RoHS conform | BU = Bulk Ware IV = Individual Packing |

| | |
|----------------------------|-----------------|
| Panel Mount SMB | |
| Part No.: | T55K1039 |
| Customer: | |

| | | | | | | | |
|-------|------|------|-------|--------|------|-------|------------|
| DRW: | Dong | CHKD | Chang | MATL: | Chui | DATE | 16.08.2010 |
| APPD: | Ping | | | FINISH | Hui | Sheet | 3 from 3 |