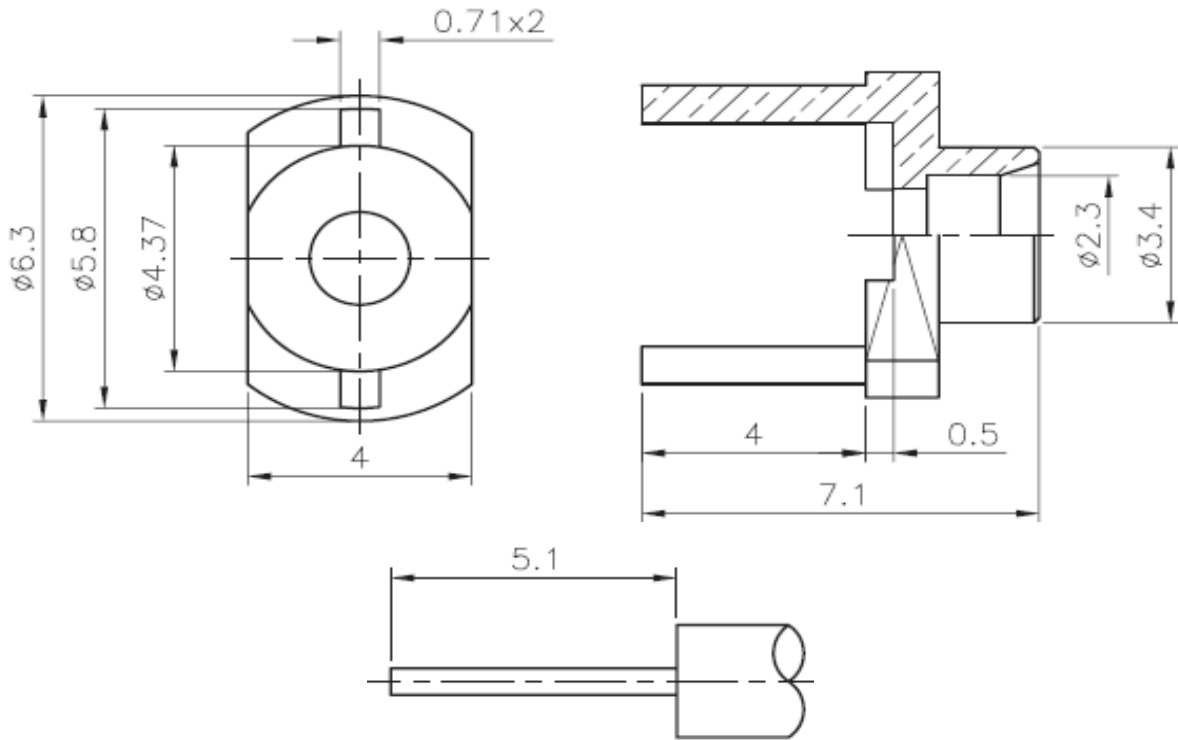




**Technical Drawing**



**Odering Information**

Serie	-	Cable Group	Impedance	No Function	RoHS	Packing
T55J2012	-	G4	50	XX	R	BU
EDCON-Serie	-	G4 = RG-405/U (Semi-Rigid .085", .086")	50 = 50 $\Omega$	XX	N = no RoHS conform  R = RoHS conform	BU = Bulk Ware  IV = Individual Packing

**BNC Terminators Plug  
 Cable Terminators**

Part No.: **T55J2012**

Customer:

DRW:	Dong	CHKD	Chang	MATL:	Chui	DATE	03.05.2010
APPD:	Ping			FINISH	Hui	Sheet	1 from 1