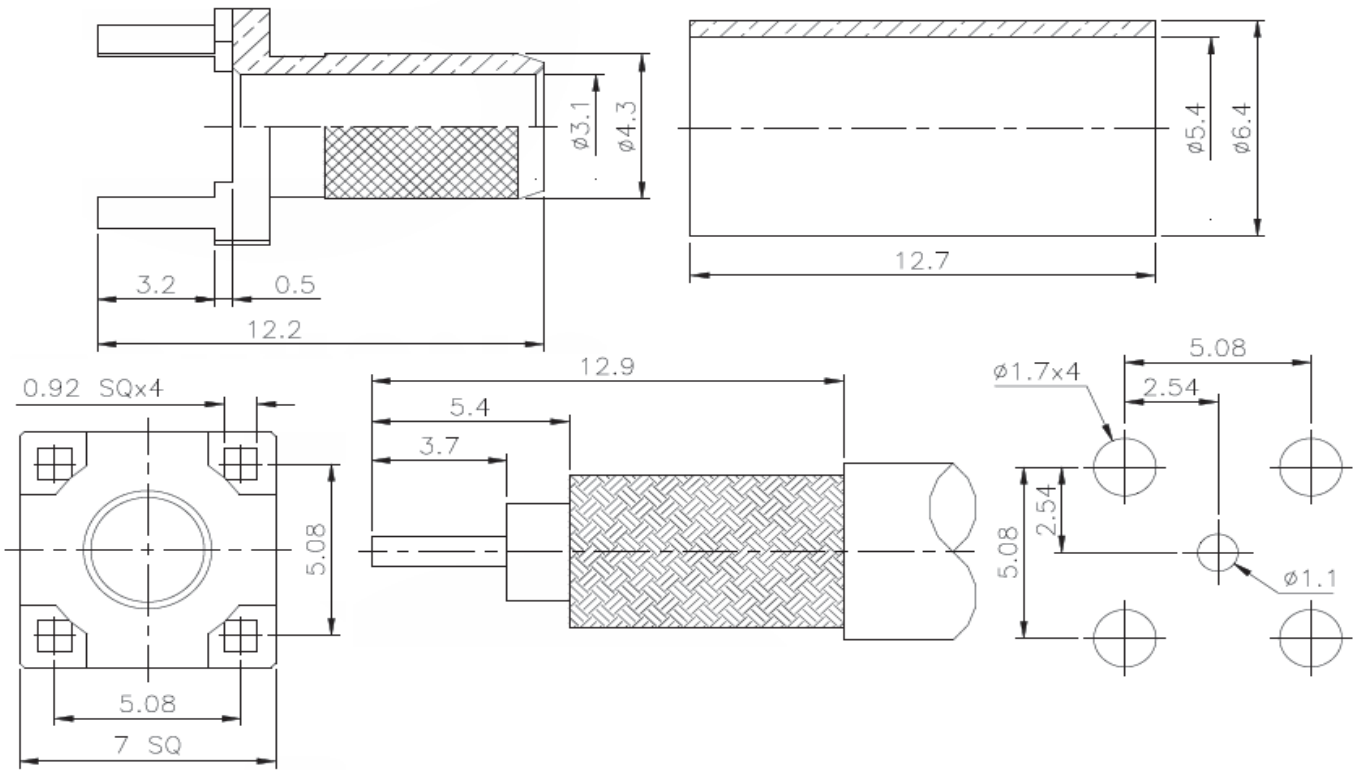




**Technical Drawing**



**Odering Information**

Serie	-	Cable Group	Impedance	No Function	RoHS	Packing
T55J2007	-	A1	50	XX	R	BU
EDCON-Serie	-	A1 = 58/U, 58A/U, 58C/U	50 = 50 Ω	XX	N = no RoHS conform R = RoHS conform	BU = Bulk Ware IV = Individual Packing

**BNC Terminators Plug  
Cable Terminators**

Part No.: **T55J2007**

Customer:

DRW:	Dong	CHKD	Chang	MATL:	Chui	DATE	03.05.2010
APPD:	Ping			FINISH	Hui	Sheet	1 from 1