

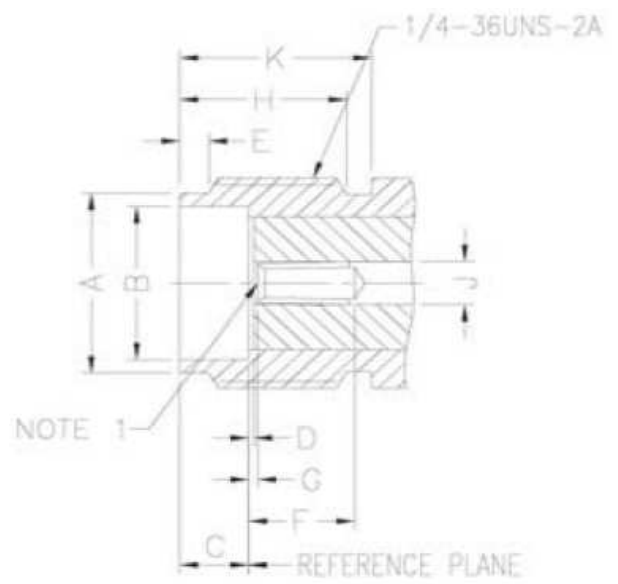
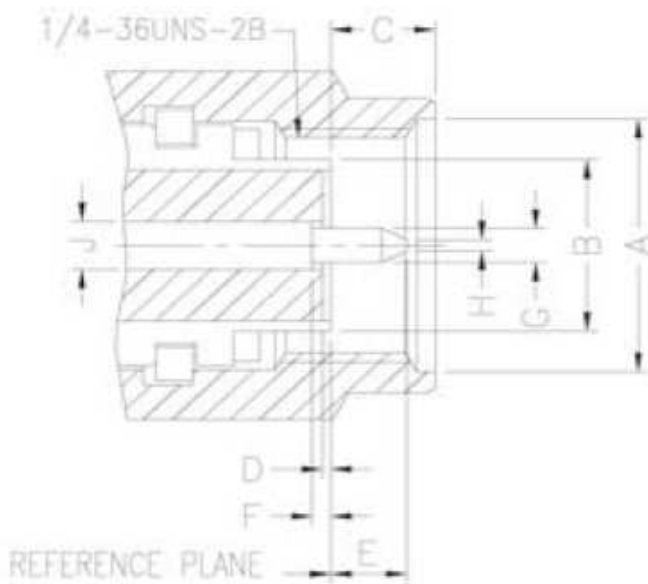


General

SMA connectors are subminiature units designed to provide high electrical performance for microwave applications up to 18 GHz.

Constructed with brass or high quality stainless steel, SMA connectors ensure excellent durability and mechanical strength.

INTERFACE MATING DIMENSIONS



| Plug | | |
|--------|------|------|
| Letter | mm | |
| | min. | max. |
| A | 6.35 | 6.73 |
| B | 4.53 | 4.59 |
| C | 2.54 | 3.43 |
| D | 0.00 | 0.25 |
| E | 1.91 | 2.54 |
| F | 0.00 | 0.25 |
| G | 0.00 | 0.94 |
| H | 0.00 | 0.38 |
| J | 1.24 | 1.30 |

| Jack | | |
|--------|------|------|
| Letter | mm | |
| | min. | max. |
| A | 5.28 | 5.49 |
| B | 4.60 | 4.67 |
| C | 1.88 | 1.98 |
| D | 0.00 | 0.25 |
| E | 0.38 | 1.14 |
| F | 2.92 | --- |
| G | 0.00 | 0.25 |
| H | 4.32 | --- |
| J | 1.24 | 1.30 |
| K | 5.54 | --- |

Note: I.D. to meet VSWR and Contact Resistance when mated with 0.38/0.42 mm dia. pin.

| | |
|----------------------------|-----------------|
| Cable Crimp SMA | |
| Part No.: | T55J1012 |
| Customer: | |

| | | | | | | | |
|-------|------|------|-------|--------|------|-------|------------|
| DRW: | Dong | CHKD | Chang | MATL: | Chui | DATE | 02.09.2010 |
| APPD: | Ping | | | FINISH | Hui | Sheet | 1 from 3 |



Specifications

| Electrical | |
|---------------------------------|--|
| Impedance | 50 Ω |
| Frequency Range | 0 - 12.4 GHz on Flexi. Cable 0 - 18 GHz on Semi-rigid cable |
| Working Voltage | RG-178: 170 VRMS max. RG-316, 085": 250 VRMS max. RG-142, 141": 335 VRMS max. |
| Dielectric Withstanding Voltage | RG-178: 500 VRMS max. RG-316, 085": 750 VRMS max. RG-142, 141": 1000 VRMS max. |
| VSWR | Straight 1.3 max. Right Angle 1.5 max. |
| Contact Resistance | Center Contact 6 mΩ max. Outer Contact 2 mΩ max. |
| Insulator Resistance | 5000 MΩ min. |

| Material | | |
|-------------------|---|--|
| Parts Name | Material | Finish |
| Body, Metal Parts | Brass per QQ-B-626 | Gold 3 micro-inches |
| Center Contacts | Male: Brass per QQ-B-626 Female: Beryllium copper per QQ-C-530 | Gold 30 micro-inches Gold 30 micro-inches |
| Insulators | Teflon | None |
| Crimp Ferrules | Annealed Brass | Gold 3 micro-inches |
| Clamp Gaskets | Silicone rubber | None |

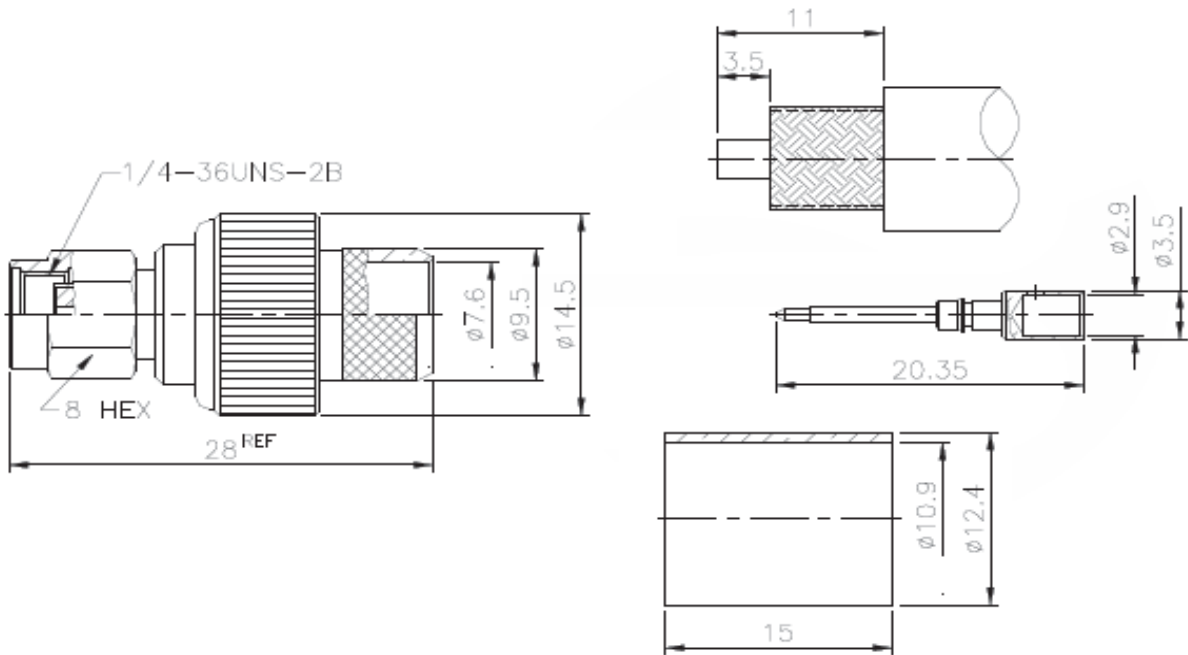
| Mechanical & Environmental | |
|---------------------------------------|-------------------------------------|
| Engagement Force | 2 in-lbs. max. |
| Disengagement Force | 2 in-lbs. max. |
| Coupling Nut Retention | 60 lbs. min. |
| Coupling Proof Torque | 15 in-lbs min. |
| Contact Retention | 6 lbs min. |
| Durability (Mating) | 500 cycles |
| Temperature Range | -65°C ~ 155°C |
| Vibration | MIL-STD-202 Method 204 Test Cond. B |
| Salt Spray | MIL-STD-202 Method 101 Test Cond. B |
| Thermal Shock | MIL-STD-202 Method 107 Test Cond. B |

| | |
|----------------------------|-----------------|
| Cable Crimp SMA | |
| Part No.: | T55J1012 |
| Customer: | |

| | | | | | | | |
|-------|------|------|-------|--------|------|-------|------------|
| DRW: | Dong | CHKD | Chang | MATL: | Chui | DATE | 02.09.2010 |
| APPD: | Ping | | | FINISH | Hui | Sheet | 2 from 3 |



Technical Drawing



Odering Information

| Serie | - | Cable Group | Impedance | No Function | RoHS | Packing |
|-----------------|---|--|-------------------------------|-------------|---|--|
| T55J1012 | - | B7 | 50 | XX | R | BU |
| EDCON-Serie | - | B7 = B9913, LMR-400, B7810A, B8214 | 50 = 50 Ω | XX | N = no RoHS conform R = RoHS conform | BU = Bulk Ware IV = Individual Packing |

| | |
|----------------------------|-----------------|
| Cable Crimp SMA | |
| Part No.: | T55J1012 |
| Customer: | |

| | | | | | | | |
|-------|------|------|-------|--------|------|-------|------------|
| DRW: | Dong | CHKD | Chang | MATL: | Chui | DATE | 02.09.2010 |
| APPD: | Ping | | | FINISH | Hui | Sheet | 3 from 3 |