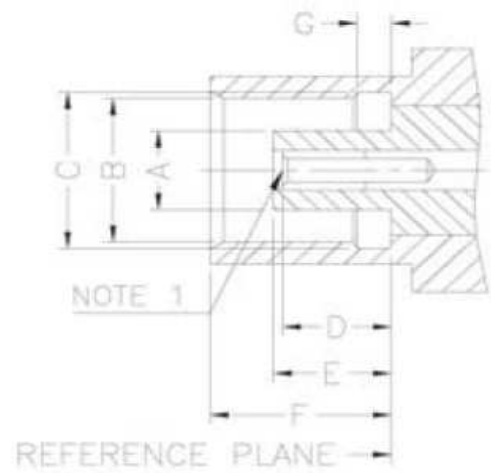
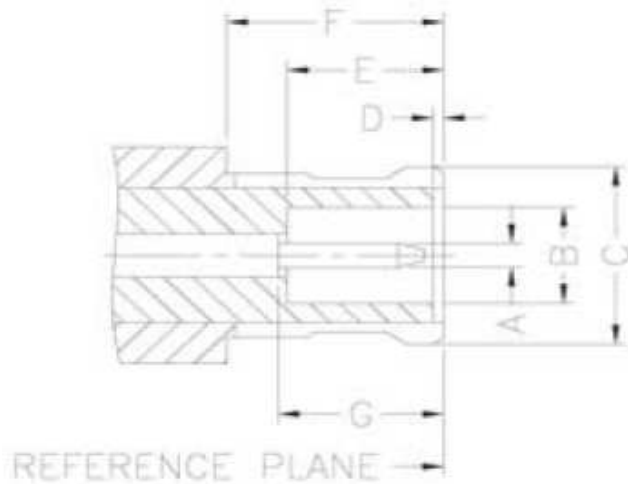




General

MCX miniature snap-on connectors have 50 Ω impedance structure in a frequency range up to 6 GHz. MCX series are ideal for applications of GPS, wireless communication and test measurement.

INTERFACE MATING DIMENSIONS



| Plug | | |
|--------|------|------|
| Letter | mm | |
| | min. | max. |
| A | 0.48 | 0.53 |
| B | 2.00 | 2.07 |
| C | 3.66 | 3.76 |
| D | 0.00 | 0.30 |
| E | 2.81 | 3.20 |
| F | 4.16 | --- |
| G | 2.81 | 3.20 |

| Jack | | |
|--------|------|------|
| Letter | mm | |
| | min. | max. |
| A | 1.80 | 1.97 |
| B | 3.43 | 3.48 |
| C | 3.61 | 3.75 |
| D | 2.31 | 2.79 |
| E | 2.61 | 2.79 |
| F | 4.00 | 4.12 |
| G | 0.75 | 0.85 |

Note: I.D. to meet VSWR and Contact Resistance when mated with 0.38/0.42 mm dia. pin.

| | |
|------------------------|-----------------|
| PCB SMT MCX | |
| Part No.: | T55H1025 |
| Customer: | |

| | | | | | | | |
|-------|------|------|-------|--------|------|-------|------------|
| DRW: | Dong | CHKD | Chang | MATL: | Chui | DATE | 05.05.2010 |
| APPD: | Ping | | | FINISH | Hui | Sheet | 1 from 3 |



Specifications

| <i>Electrical</i> | | |
|---------------------------------|----------------|-------------|
| Impedance | 50 Ω | |
| Frequency Range | 0 - 6 GHz | |
| Working Voltage | 335 VRMS max. | |
| Dielectric Withstanding Voltage | 1000 VRMS max. | |
| VSWR | Straight | 1.3 max. |
| | Right Angle | 1.5 max. |
| Contact Resistance | Center Contact | 5 mΩ max. |
| | Outer Contact | 2.5 mΩ max. |
| Insulator Resistance | 1000 MΩ min. | |

| <i>Material</i> | | |
|-----------------------|---|--|
| Parts Name | Material | Finish |
| Body, Metal Parts | Brass per QQ-B-626 | Gold 3 micro-inches |
| Center Contacts | Male: Brass per QQ-B-626 Female: Beryllium copper per QQ-C-530 | Gold 30 micro-inches Gold 30 micro-inches |
| Insulators | Teflon | None |
| Outer Contact of Plug | Beryllium copper per QQ-C-530 | Gold 3 micro-inches |
| Crimp Ferrules | Annealed Brass | Gold 3 micro-inches |

| <i>Mechanical & Environmental</i> | |
|---------------------------------------|--|
| Engagement Force | 3.4 lbs. max. |
| Disengagement Force | 4.5 lbs. max. |
| Contact Retention | 4 lbs. min. |
| Durability (Mating) | 500 cycles |
| Temperature Range | -65°C ~ 155°C |
| Vibration | 3 cycles, 3 opposite directions, 10-150 Hz, 10-60 Hz: 0.75mm/.030 in, 60-150 Hz 10 G's |
| Temperature Shock | MIL-STD-202 Method 107 |
| Humidity | MIL-STD-202 Method 103 Test Cond. B |
| Mechanical Shock | MIL-STD-202 Method 213 Test Cond. B |

**PCB SMT
MCX**

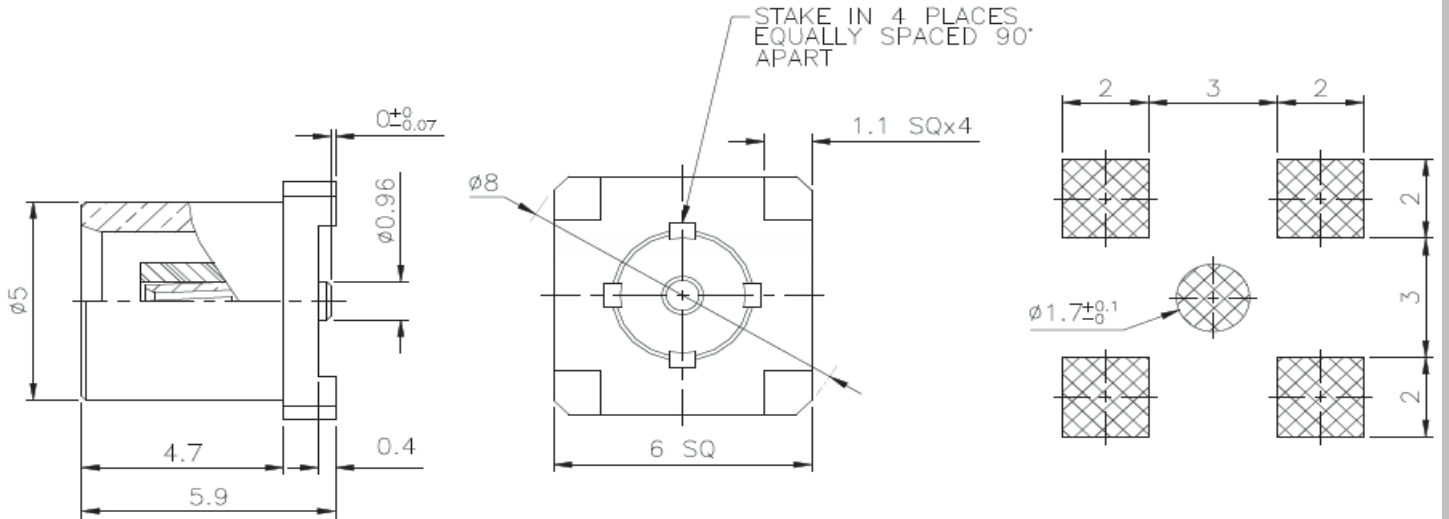
Part No.: **T55H1025**

Customer:

| | | | | | | | |
|-------|------|------|-------|--------|------|-------|------------|
| DRW: | Dong | CHKD | Chang | MATL: | Chui | DATE | 05.05.2010 |
| APPD: | Ping | | | FINISH | Hui | Sheet | 2 from 3 |



Technical Drawing



Odering Information

| Serie | - | Cable Group | Impedance | No Function | RoHS | Packing |
|-------------|---|--------------------|--------------|-------------|---|---|
| T55H1025 | - | G5 | 50 | XX | R | BU |
| EDCON-Serie | - | G5 = Blunt Post | 50 = 50 Ω | XX | N = no RoHS conform R = RoHS conform | BU = Bulk Ware IV = Individual Packing |

| | |
|------------------------|-----------------|
| PCB SMT MCX | |
| Part No.: | T55H1025 |
| Customer: | |

| | | | | | | | |
|-------|------|------|-------|--------|------|-------|------------|
| DRW: | Dong | CHKD | Chang | MATL: | Chui | DATE | 05.05.2010 |
| APPD: | Ping | | | FINISH | Hui | Sheet | 3 from 3 |