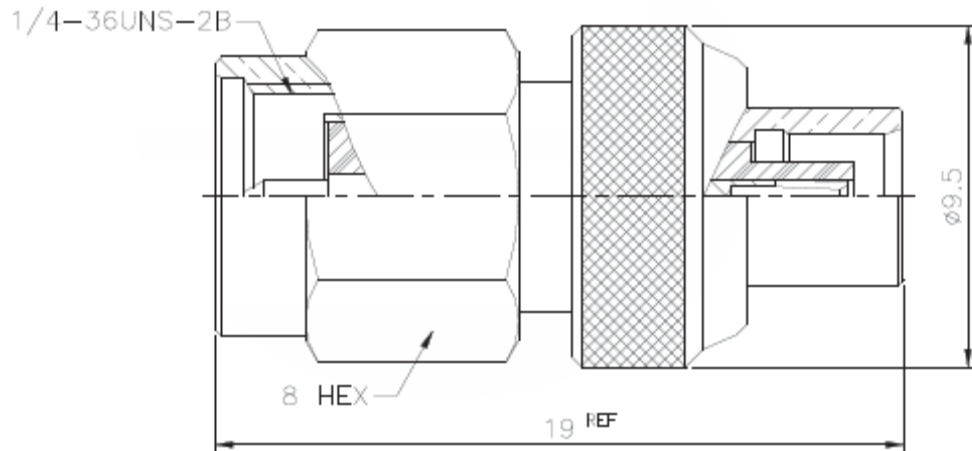




Technical Drawing



Ordering Information

| Serie | - | No Function | Impedance | No Function | RoHS | Packing |
|-------------|---|-------------|-----------------|-------------|---|--|
| T55G2133 | - | XX | 50 | XX | R | BU |
| EDCON-Serie | - | XX | 50 = 50 Ω | XX | N = no RoHS conform R = RoHS conform | BU = Bulk Ware IV = Individual Packing |

| | |
|--------------------------------|-----------------|
| Plug / Jack Adaptor | |
| Part No.: | T55G2133 |
| Customer: | |

| | | | | | | | | |
|-------|------|------|-------|--|--------|------|-------|------------|
| DRW: | Dong | CHKD | Chang | | MATL: | Chui | DATE | 27.09.2010 |
| APPD: | Ping | | | | FINISH | Hui | Sheet | 1 from 1 |

Customer:
Copyright by EDCON-COMPONENTS

www.edcon-components.com

email: info@edcon-components.com