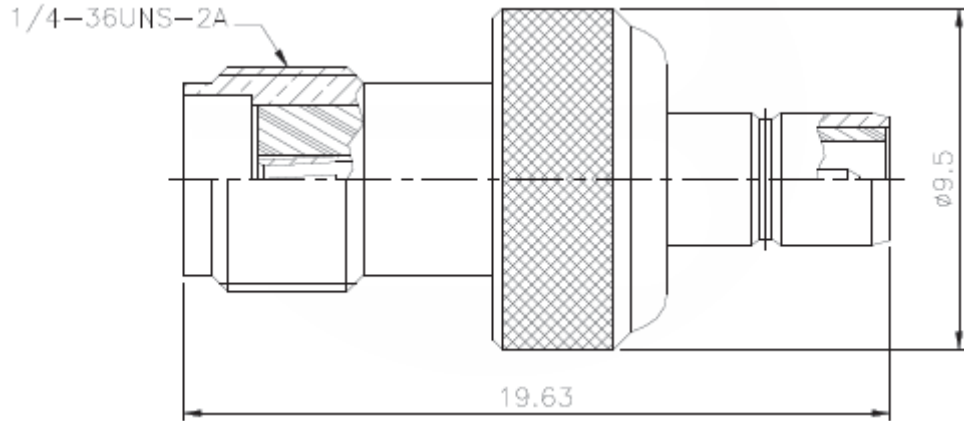




**Technical Drawing**



**Ordering Information**

Serie	-	No Function	Impedance	No Function	RoHS	Packing
T55G2123	-	XX	50	XX	R	BU
EDCON-Serie	-	XX	50 = 50 Ω	XX	N = no RoHS conform  R = RoHS conform	BU = Bulk Ware  IV = Individual Packing

<b>Jack / Jack Adaptor</b>	
Part No.:	<b>T55G2123</b>
Customer:	

Customer:

DRW:	Dong	CHKD	Chang		MATL:	Chui	DATE	27.09.2010
APPD:	Ping				FINISH	Hui	Sheet	1 from 1

Copyright by **EDCON-COMPONENTS**

[www.edcon-components.com](http://www.edcon-components.com)

email: [info@edcon-components.com](mailto:info@edcon-components.com)