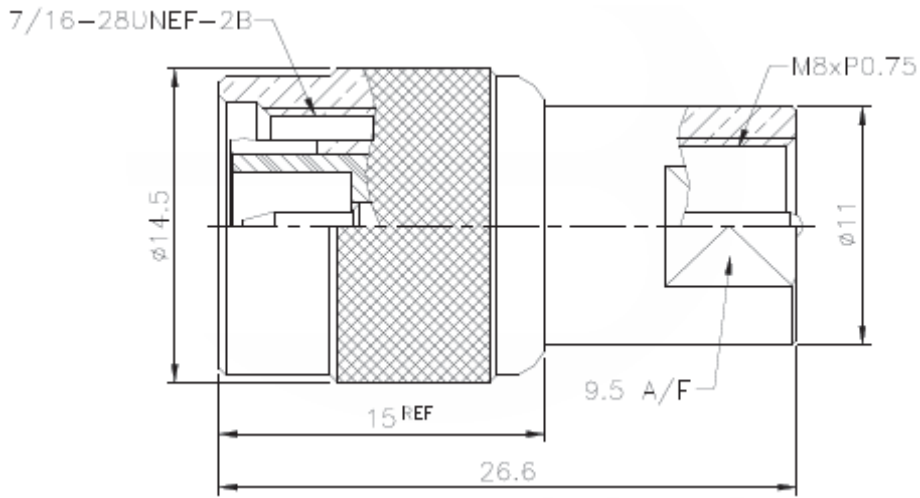




**Technical Drawing**



**Ordering Information**

Serie	-	No Function	Impedance	No Function	RoHS	Packing
T55G2118	-	XX	50	XX	R	BU
EDCON-Serie	-	XX	50 = 50 $\Omega$	XX	N = no RoHS conform R = RoHS conform	BU = Bulk Ware IV = Individual Packing

<b>Plug / Plug Adaptor</b>	
Part No.:	<b>T55G2118</b>
Customer:	

DRW:	Dong	CHKD	Chang	MATL:	Chui	DATE	27.09.2010
APPD:	Ping			FINISH	Hui	Sheet	1 from 1

